

95G1EX

PRODUCT SPECIFICATIONS

SINGLE STAGE CONSTANT TORQUE ULTRA LOW NOX GAS FURNACE

FORM NO. 95G1EX-100 (09/2021)



DESCRIPTION

The 95G1EX model is a 95% AFUE gas furnace used for upflow or horizontal applications only, manufactured with aluminized steel tubular heat exchangers. 95G1EX units are available in heating capacities of 40,000 to 100,000 Btuh and cooling applications up to 5 tons. Units are approved for installations up 7500 feet above sea level and factory equipped for use with natural gas only. The 95G1EX is a single-stage gas furnace with high efficiency constant torque blower motor which meets the California Ultra Low Nitrogen Oxides (NOx) Standards (14ng/J) and California Seasonal Efficiency requirements. All units use a redundant gas valve to assure safety shut-off as required by C.S.A. All specifications are subject to change without notice.

CONTROLS

- Single stage gas valve
- Durable silicon nitride ignitor
- Self diagnostics saves last 10 fault codes regardless of power interruption
- Control features electronic air cleaner and humidifier terminals

VENTING

- Designed certified for direct (2-pipe) and non direct (1-pipe) applications
- Easily vented with PVC pipe

INSTALLATION FEATURES

- Left or right utility connection
- Design certified for direct and non-direct vent applications
- Zero step horizontal conversion
- Removable floor base for bottom return air
- Complies with California's South Coast Air Quality Management district Low NOx requirements

WARRANTY

10 year limited parts warranty / lifetime heat exchanger warranty available. See limited warranty document for details.

CONFIGURATIONS

- Upflow / Horizontal

HEAT EXCHANGER DESIGN

- Aluminized steel, tubular primary heat exchanger. Secondary heat exchanger constructed of aluminum fins fitted to stainless steel tubes.

BURNER

- Aluminized steel inshot burners for smooth ignition

CABINET DESIGN

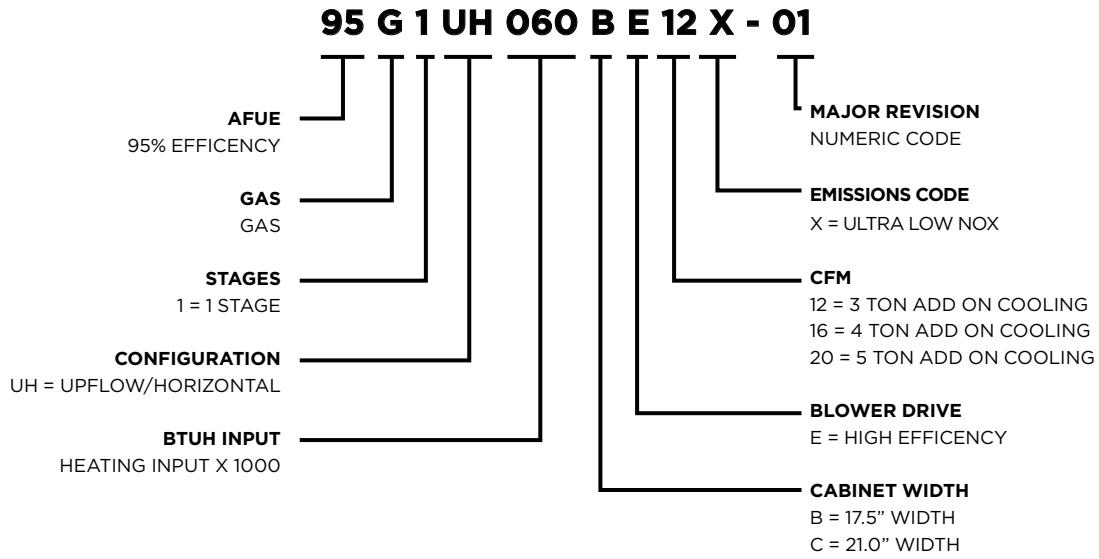
- Compact 33" height
- Standardized widths for easy coil fit

AIR DELIVERY SYSTEM

- Multi-speed high efficiency (constant torque) blower motor
- Easily removable slide out blower design
- Enhanced cooling SEER ratings when applied with properly matched cooling equipment.



MODEL NUMBER GUIDE



PHYSICAL AND ELECTRICAL DATA

Model	Input (Btuh)	Output (Btuh)	AFUE (ICS)	Nominal Cooling Capacity	Gas Inlet (in.)	Volts/Hz/Phase	Max. Time Delay Breaker or Fuse	Nominal Full Load Amps	Trans (VA)	Approx Shipping Weight (lbs)
95G1UH040BE12X	40,000	39,000	95%	3 Ton	1/2	120-60-1	15	6.8	40	122
95G1UH060BE12X	60,000	58,000	95%	3 Ton	1/2	120-60-1	15	6.8	40	128
95G1UH080CE16X	80,000	78,000	95%	4 Ton	1/2	120-60-1	15	8.4	40	148
95G1UH100CE20X	100,000	97,000	95%	5 Ton	1/2	120-60-1	15	10.9	40	157

Note: For vent length and clearances to combustibles, please reference installation instructions.

BLOWER PERFORMANCE DATA

95G1UH040BE12X PERFORMANCE (Less Filter)

External Static Pressure in. w.g.	Air Volume / Watts at Various Blower Speeds									
	High		Medium-High		Medium		Medium-Low		Low	
	cfm	Watts	cfm	Watts	cfm	Watts	cfm	Watts	cfm	Watts
0.00	1450	350	1280	247	1190	200	966	112	902	89
0.10	1429	360	1268	257	1171	207	939	119	875	99
0.20	1400	371	1248	267	1139	212	894	124	850	110
0.30	1377	381	1222	279	1112	223	872	131	800	114
0.40	1350	391	1195	286	1084	235	829	138	778	122
0.50	1317	401	1156	298	1043	240	794	147	724	129
0.60	1285	408	1127	308	1019	252	754	151	690	142
0.70	1233	390	1107	316	987	259	708	161	633	144
0.80	1160	370	1077	322	955	270	661	167	607	149

95G1UH060BE12X PERFORMANCE (Less Filter)

External Static Pressure in. w.g.	Air Volume / Watts at Various Blower Speeds									
	High		Medium-High		Medium		Medium-Low		Low	
	cfm	Watts	cfm	Watts	cfm	Watts	cfm	Watts	cfm	Watts
0.00	1477	338	1289	240	1189	188	940	99	905	88
0.10	1431	353	1262	254	1160	200	918	109	873	97
0.20	1401	360	1244	263	1135	209	894	121	839	108
0.30	1372	374	1215	270	1110	221	852	126	798	113
0.40	1352	387	1189	282	1074	226	821	136	772	123
0.50	1324	391	1165	292	1050	241	786	146	728	130
0.60	1296	403	1130	302	1011	252	741	150	691	140
0.70	1255	406	1102	313	988	258	703	161	641	144
0.80	1190	386	1073	326	962	267	664	167	606	153

95G1UH080CE16X PERFORMANCE (Less Filter)

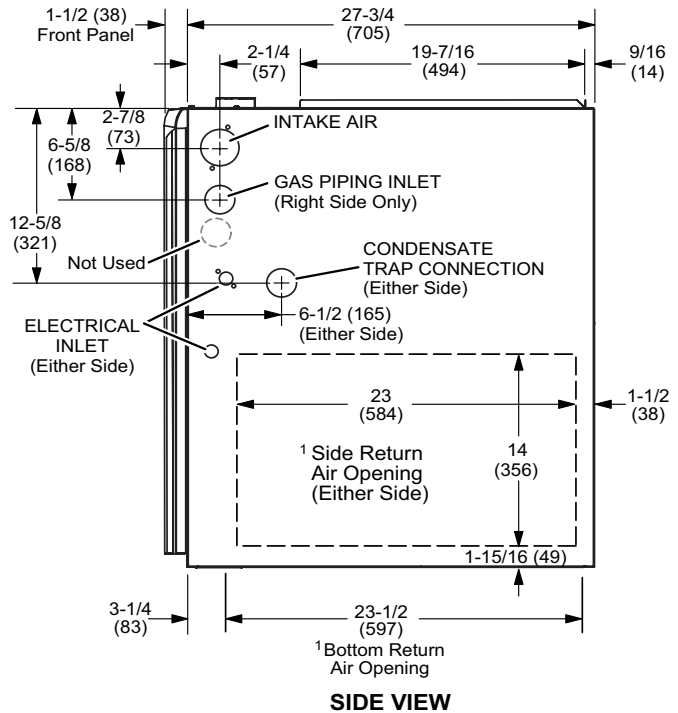
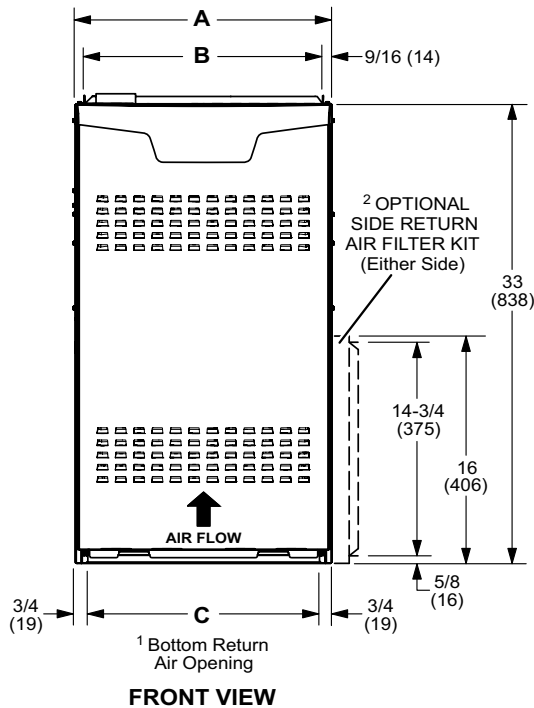
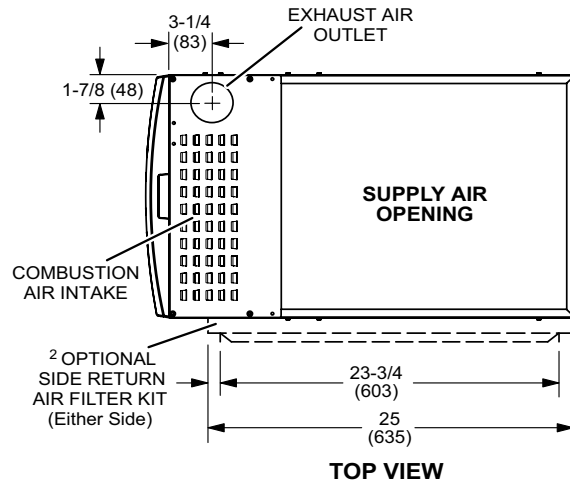
External Static Pressure in. w.g.	Air Volume / Watts at Various Blower Speeds									
	High		Medium-High		Medium		Medium-Low		Low	
	cfm	Watts	cfm	Watts	cfm	Watts	cfm	Watts	cfm	Watts
0.00	1702	381	1502	270	1375	195	1298	169	1189	132
0.10	1688	418	1479	287	1349	220	1258	187	1136	144
0.20	1660	443	1450	304	1321	242	1215	203	1084	158
0.30	1627	458	1403	321	1282	255	1172	215	1030	172
0.40	1577	475	1370	337	1234	272	1131	231	990	188
0.50	1540	483	1329	352	1191	288	1085	245	933	195
0.60	1441	457	1291	369	1146	301	1045	259	883	203
0.70	1293	402	1249	380	1102	315	992	271	830	216
0.80	1144	365	1122	351	1053	326	951	285	809	219

95G1UH100CE20X PERFORMANCE (Less Filter)

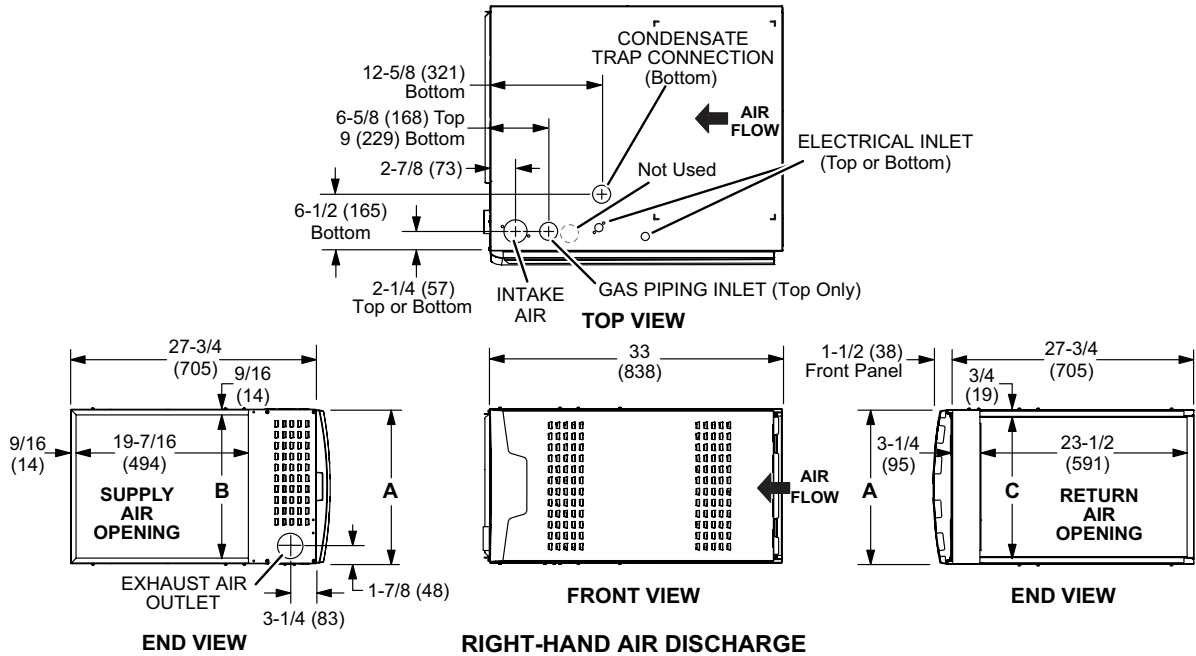
External Static Pressure in. w.g.	Air Volume / Watts at Different Blower Speeds																			
	Bottom Return Air, Side Return Air with Return Air from Both Sides or Return Air from Bottom and One Side.										Single Side Return Air – Air volumes in bold require Optional Return Air Base and field fabricated transition to accommodate 20 x 25 x 1 in. air filter in order to maintain proper air velocity.									
	High		Med-High		Medium		Med-Low		Low		High		Med-High		Medium		Med-Low		Low	
	cfm	Watts	cfm	Watts	cfm	Watts	cfm	Watts	cfm	Watts	cfm	Watts	cfm	Watts	cfm	Watts	cfm	Watts	cfm	Watts
0.00	2156	722	1922	497	1723	370	1589	215	1420	211	2102	118	1833	489	1688	170	1590	300	1375	209
0.10	2112	738	1851	511	1681	388	1552	326	1380	227	2064	730	1809	504	1658	384	1540	314	1347	224
0.20	2076	748	1808	533	1636	403	1525	334	1340	244	2038	749	1789	514	1623	402	1507	331	1325	242
0.30	2035	768	1782	542	1604	425	1488	349	1290	259	2011	760	1761	531	1594	413	1472	348	1266	246
0.40	2009	772	1749	558	1572	433	1441	362	1248	266	1968	770	1726	549	1561	431	1435	355	1247	264
0.50	1942	776	1715	580	1533	452	1424	374	1213	281	1920	776	1685	560	1527	443	1394	374	1199	278
0.60	1881	746	1681	584	1512	468	1357	382	1157	293	1849	741	1660	578	1489	455	1356	379	1154	286
0.70	1790	715	1634	599	1459	474	1319	401	1136	306	1777	723	1622	593	1439	473	1317	395	1124	301
0.80	1702	679	1582	613	1432	491	1300	418	1084	312	1682	681	1588	602	1407	488	1288	408	1067	308

DIMENSIONS (IN.)

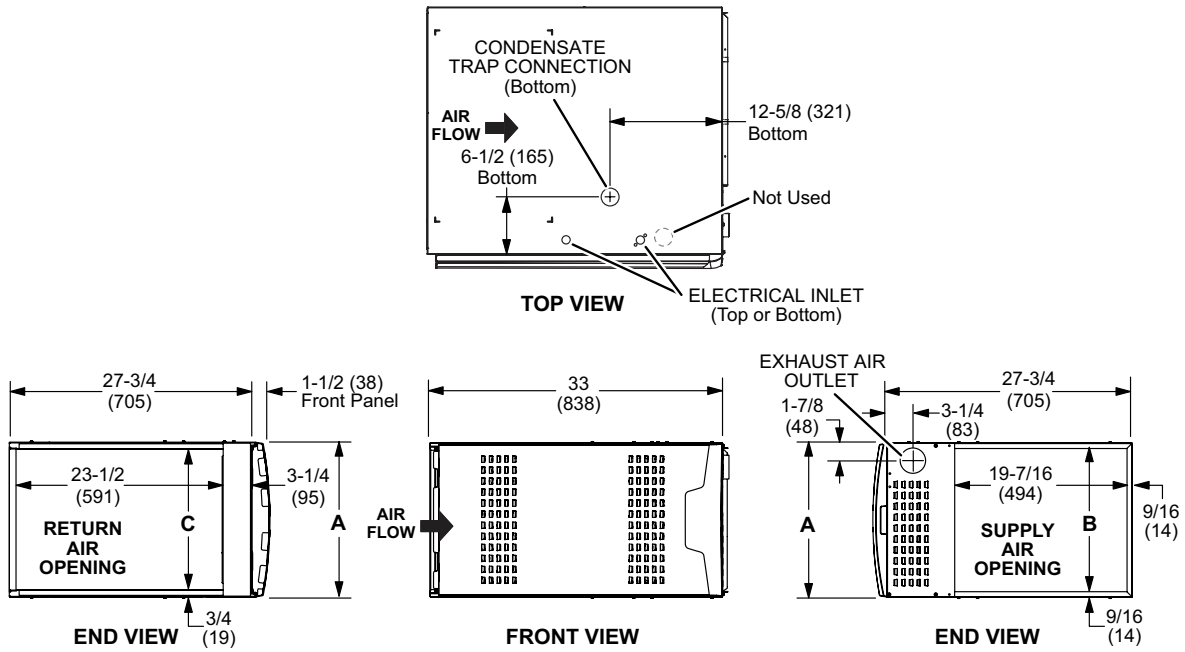
Model	A	B	C	D
95G1UH040BE12X	17-1/2	16-3/8	16	7-5/8
95G1UH060BE12X	17-1/2	16-3/8	16	7-5/8
95G1UH080CE16X	21	19-7/8	19-1/2	9-3/8
95G1UH100CE20X	21	19-7/8	19-1/2	9-3/8



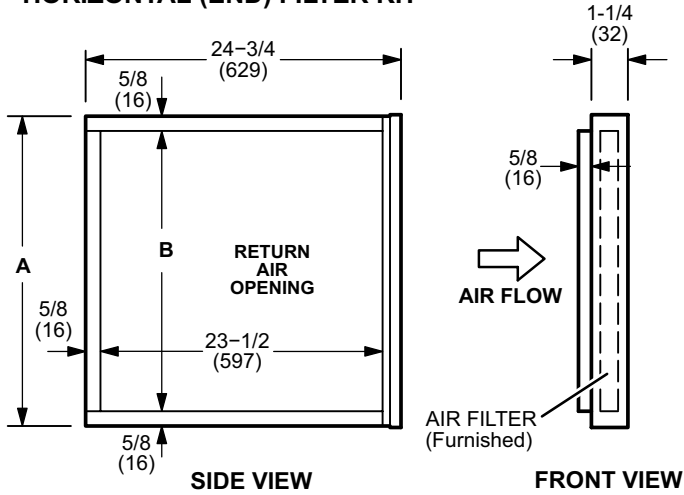
LEFT-HAND AIR DISCHARGE



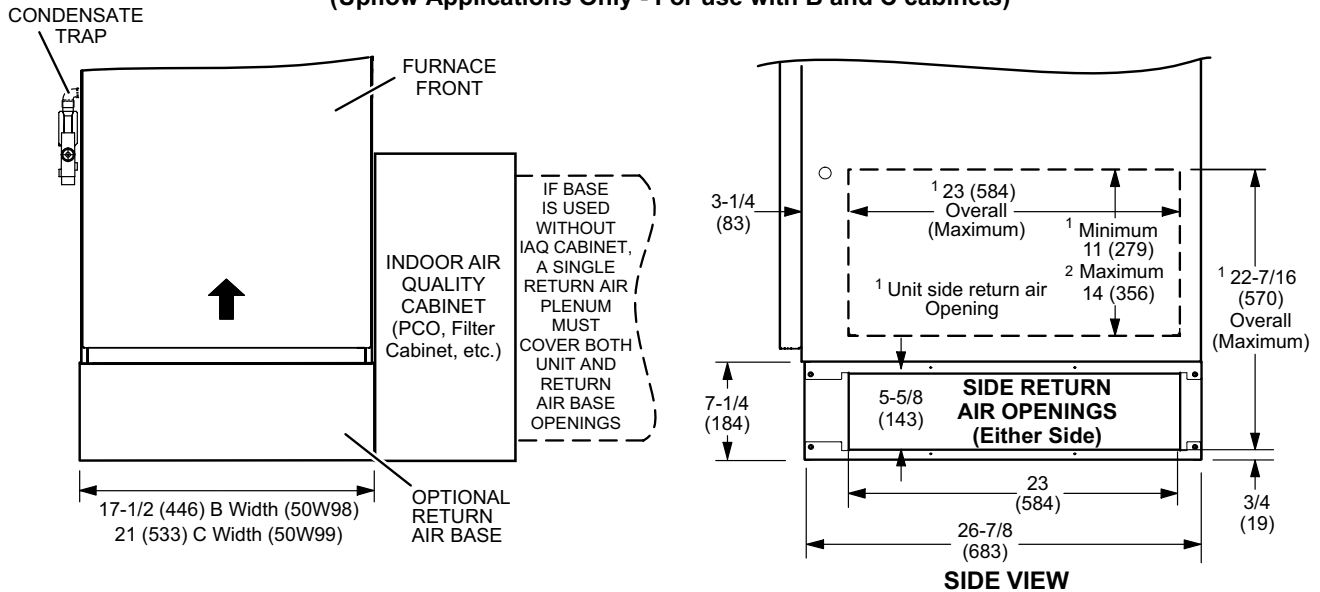
RIGHT-HAND AIR DISCHARGE



HORIZONTAL (END) FILTER KIT



**Optional Return Air Base
(Upflow Applications Only - For use with B and C cabinets)**



NOTE- Optional Side Return Air Filter Kits are not for use with Optional Return Air Base.

¹ Both the unit return air opening and the base return air opening must be covered by a single plenum or IAQ cabinet. Minimum unit side return air opening dimensions for units requiring 1800 cfm or more of air (W x H): 23 x 11 in. (584 x 279 mm). The opening can be cut as needed to accommodate plenum or IAQ cabinet while maintaining dimensions shown.

Side return air openings must be cut in the field. There are cutting guides stenciled on the cabinet for the side return air opening. The size of the opening must not extend beyond the markings on the furnace cabinet.

² To minimize pressure drop, the largest opening height possible, up to 14 in. (356 mm), is preferred.

ACCESSORY LIST

CATALOG NUMBER	DESCRIPTION
EXTERNAL FILTER RACK KITS	
1.841018	1 pack (16 x 25)
1.841039	10 pack (16 x 25)
RETURN AIR BASE	
68W62	17.5" B Width
68W63	21.0" C Width
HORIZONTAL SUSPENSION KIT	
51W10	80% & 90% Kit
FLUSH MOUNT TERMINATION (90% FURNACES ONLY) US ONLY	
51W11	2" & 3" Vent Version
CONCENTRIC VENT KIT (90% FURNACES ONLY) US ONLY	
71M80	1-1/2" Vent Version
69M29	2" Vent Version
60L46	3" Vent Version
TWINNING KIT	
16W72	Constant Torque Gas Furnace Twinning Kit
LP/PROPANE CONVERSION KIT	
19U44	-060 Capacity Models Only
19U45	-080 Capacity Models Only



1-800-448-5872

All specifications and illustrations subject to change without notice and without incurring obligations.