

# PRPGE14

## PRODUCT SPECIFICATIONS

## 14 SEER GAS ELECTRIC PACKAGED UNIT

### REFRIGERANT SYSTEM

- Environmentally friendly R410A refrigerant
- Copper tubing with enhanced fin coils
- Internal service gauge ports
- Sleeved distributor tubes
- Antimicrobial insulated drain pan
- High and Low Threaded pressure switches for system protection

### HEAT EXCHANGER

- GX models comply with California Energy Commission Low NOx regulations
- Aluminized Tri-Dimple tubular heat exchanger for increased efficiency
- Pest protected flue outlet

### CABINET CONSTRUCTION

- Heavy-gauge galvanized steel base rails with rigging holes
- Rounded corners for safety and an attractive, clean appearance
- One piece base design for strength and stability
- Condensate and coil runoff drains to the perimeter of the unit
- Horizontal and downflow duct openings are flanged to minimize water entry
- Low profile, with compact footprint
- Insulation to minimize heat loss plus reduce sound
- Textured pre-painted steel cabinet finish
- Superior service access to components
- Louvered coil guard protection
- One piece “no leak” top design

### BLOWER

- Insulated compartment to reduce sound
- Efficient constant torque motor for wide airflow range
- Slide out blower housing for easy service

### CONTROLS

- Solid state integrated blower control board with L.E.D. self diagnostics
- Direct spark ignition
- Color coded wiring for easy service

### INSTALLATION

- Horizontal or down discharge capable
- Horizontal and downflow duct covers provided with unit for installation flexibility
- Drain pan float switch monitors condensate level in drain pan and shuts down unit if drain becomes clogged
- Utility connections on “right side”
- Kits enable bottom gas and power entry through base pan
- Seismic Certification (with Seismic Strapping Kit applied): Latest Edition of International Building Code, California Building Code, and ASCE 7-16

FORM NO. PRPGE14-100 (08/2022)



### ACCESSORIES

- Clip roof curbs and adjustable pitch roof curbs available
- LP Gas Conversion
- Internal Filter kits
- Duct Adapters
- Closure kit for base rail openings

### WARRANTY

10 year limited parts and compressor warranty/lifetime heat exchanger warranty available. See limited warranty document for details.

#### California Only

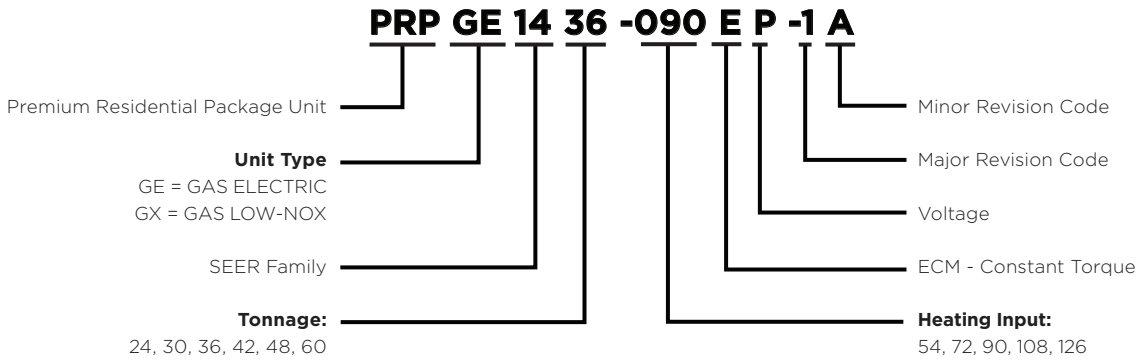
*This product is not certified to be sold or installed in the South Coast Air Quality Management District (SCAQMD). It does not meet the SCAQMD Rule 1111 NOx emission limit of 14 Ng/l.*

*This product is not certified to be sold or installed in the San Joaquin Valley Air Pollution Control District (SJVAPCD). It does not meet the SJVAPCD Rule 4905 NOx emission limit of 14 Ng/l.*

*For packaged units that meet SCAQMD/SJVAPCD requirements, refer to the PRPGN14 technical specification.*



**MODEL NUMBER GUIDE**



**ELECTRICAL AND PHYSICAL DATA**

Model	Voltage	Phase	Hz	Min Volts @ 60 hz	MCA	Max Fuse/HACR Breaker	Compressor		Condenser Motor		Blower Motor		Exhaust Motor		Refrig. Charge (oz.)	Weight (lbs.)
							RLA	LRA	FLA	HP	FLA	HP	RLA	HP		
PRPGE1424-054EP	208-230	1	60	197	14.4	20	8.6	43.5	1.0	1/6	2.8	1/3	0.22	1/50	72	388
PRPGE1424-072EP																
PRPGE1430-054EP					18.22	25	10.6	47.0			4.1	1/2			80	400
PRPGE1430-072EP																
PRPGE1436-072EP					22.7	35	15.7	72.2	4.1	1/2	87	419				
PRPGE1436-090EP															27.5	40
PRPGE1442-090EP					28.7	45	16.9	94.0	6.0	3/4	115	496				
PRPGE1448-108EP															35.8	50
PRPGE1460-108EP					139	543										
PRPGE1460-126EP							139	549								

**PERFORMANCE**

Model	COOLING					HEATING				Sound dBA
	Rated AHRI Capacity Btuh	SEER	EER	Rated Sensible Capacity Btuh	CFM	Input BTUH	Output BTUH	Efficiency AFUE	Temp Rise Range F	
PRPGE1424-054EP	22,600	14.0	11.0	17,400	800	54,000	43,800	81%	30-60	77
PRPGE1424-072EP						72,000	58,400		40-70	
PRPGE1430-054EP	28,400			21,900	1000	54,000	43,800		30-60	79
PRPGE1430-072EP						72,000	58,400		40-70	
PRPGE1436-072EP	34,000			26,100	1200	72,000	58,400		35-65	78
PRPGE1436-090EP						90,000	72,900		40-70	
PRPGE1442-090EP	40,000			30,800	1400	90,000	72,900		40-70	
PRPGE1448-108EP	45,500			35,000	1600	108,000	87,500		40-70	
PRPGE1460-108EP	57,000			41,600	1800	108,000	87,500		40-70	78
PRPGE1460-126EP						126,000	102,100		45-75	

\*Certified in accordance with Unitary Air Conditioner Certification Program, which is based on AHRI Standard 210/240

**BLOWER PERFORMANCE**

Model	Blower Tap	CFM @ext. Static Pressure in in. wc without filter, dry coil									
		0.1	0.2	0.3	0.4	0.5	0.6	0.7	0.8	0.9	1.0
PRPGE1424	TAP 1	610	560	525	485	430	N/A	N/A	N/A	N/A	N/A
	TAP 2	820	795	760	720	690	650	615	575	540	470
	TAP 3	950	920	880	850	820	800	760	720	680	625
PRPGE1430	TAP 1	850	820	780	745	710	680	630	590	550	515
	TAP 2	1040	1000	970	935	900	875	845	815	770	735
	TAP 3	1175	1145	1115	1080	1050	1015	990	945	900	860
PRPGE1436	TAP 1	850	800	750	700	645	600	550	480	435	N/A
	TAP 2	1245	1210	1175	1140	1100	1065	1025	975	920	845
	TAP 3	1400	1370	1335	1300	1265	1220	1180	1150	1060	875
PRPGE1442	TAP 1	800	720	640	550	475	390	310	N/A	N/A	N/A
	TAP 2	1470	1410	1360	1300	1260	1210	1155	1095	1000	940
	TAP 3	1700	1650	1610	1575	1540	1480	1430	1390	1340	1210
PRPGE1448	TAP 1	1145	1075	1000	930	850	790	740	670	570	490
	TAP 2	1675	1630	1600	1540	1490	1440	1390	1300	1230	1125
	TAP 3	1800	1770	1715	1690	1640	1610	1565	1500	1460	1380
PRPGE1460	TAP 1	1045	970	895	820	745	665	580	480	N/A	N/A
	TAP 2	1855	1810	1770	1725	1680	1630	1595	1550	N/A	N/A
	TAP 3	1940	1900	1855	1810	1765	1725	1680	1640	1600	1565

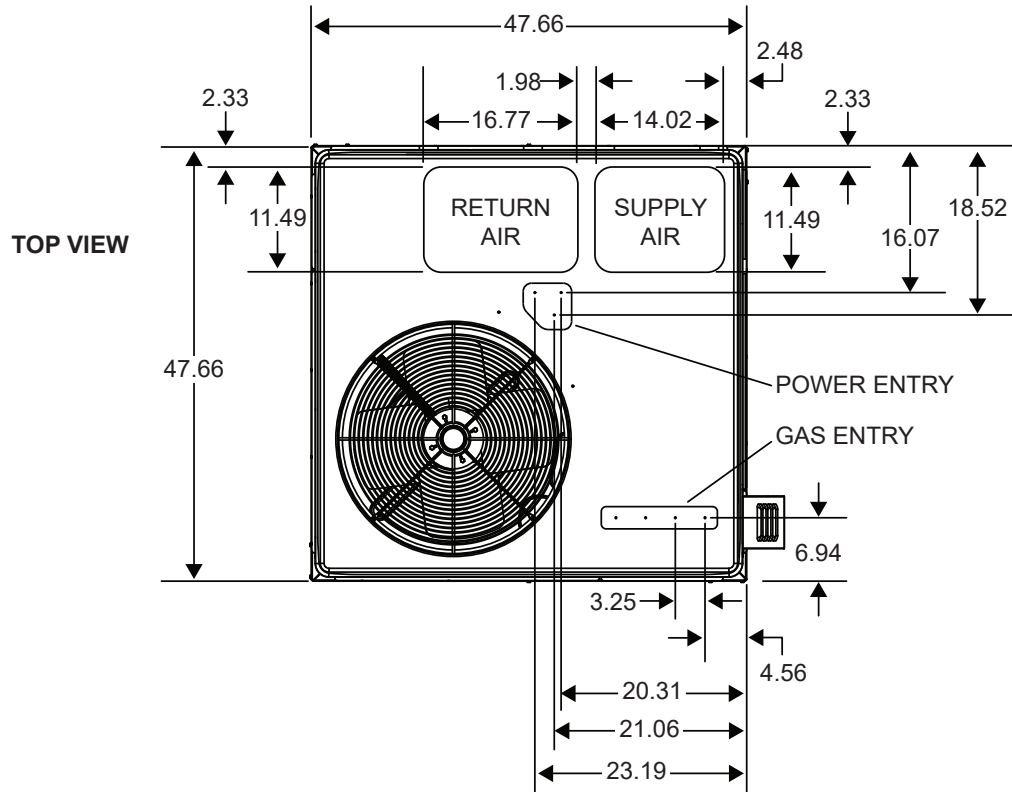
**COOLING PERFORMANCE - EXTENDED RATINGS**

Outdoor Model	Indoor Temp DB/WB °F	Outdoor Temperature - DB °F														
		65°			82° / 67°			95° / 75°			105° / 85°			115° / 95°		
		Btuh	S/T	kW	Btuh	S/T	kW	Btuh	S/T	kW	Btuh	S/T	kW	Btuh	S/T	kW
PRPGE1424	85 / 72	30,600	0.65	1.33	27,700	0.68	1.65	24,700	0.70	1.88	23,100	0.72	2.06	22,500	0.75	2.26
	80 / 67	27,900	0.71	1.35	25,500	0.74	1.65	22,600	0.77	1.88	21,200	0.79	2.06	20,700	0.82	2.25
	75 / 63	26,000	0.74	1.36	23,800	0.77	1.65	21,000	0.79	1.87	20,700	0.82	2.05	19,300	0.84	2.23
	75 / 57	23,800	1.00	1.39	22,100	1.00	1.64	20,700	1.00	1.87	19,600	1.00	2.04	18,500	1.00	2.22
PRPGE1430	85 / 72	38,200	0.68	1.83	34,700	0.71	2.16	32,000	0.74	2.42	30,500	0.74	2.60	29,000	0.78	2.86
	80 / 67	35,200	0.75	1.76	32,300	0.78	2.11	28,400	0.75	2.34	28,100	0.84	2.57	25,100	0.80	2.74
	75 / 63	33,000	0.77	1.71	30,400	0.80	2.06	27,700	0.80	2.31	25,900	0.82	2.51	24,100	0.84	2.72
	75 / 57	29,900	1.00	1.66	28,300	1.00	2.01	26,600	1.00	2.29	25,200	1.00	2.49	23,700	1.00	2.70
PRPGE1436	85 / 72	45,800	0.68	2.09	41,700	0.72	2.49	37,600	0.73	2.82	35,400	0.74	3.10	32,400	0.75	3.39
	80 / 67	40,800	0.75	2.10	38,500	0.75	2.51	34,400	0.79	2.81	33,200	0.84	3.09	30,500	0.85	3.38
	75 / 63	38,100	0.76	2.11	36,000	0.77	2.51	32,300	0.81	2.80	30,500	0.84	3.08	28,400	0.87	3.37
	75 / 57	35,200	1.00	2.14	33,600	1.00	2.50	30,700	1.00	2.80	29,200	1.00	3.07	27,400	1.00	3.36
PRPGE1442	85 / 72	54,500	0.67	2.51	48,900	0.71	2.90	45,700	0.73	3.28	44,200	0.74	3.64	42,800	0.75	4.08
	80 / 67	50,100	0.74	2.52	45,100	0.78	2.91	40,000	0.77	3.28	38,400	0.79	3.64	35,700	0.80	4.05
	75 / 63	46,800	0.76	2.52	42,700	0.80	2.91	38,800	0.81	3.29	36,300	0.82	3.65	33,500	0.83	4.06
	75 / 57	42,500	1.00	2.53	39,700	1.00	2.93	37,100	1.00	3.30	35,100	1.00	3.66	33,100	1.00	4.07
PRPGE1448	85 / 72	59,400	0.69	2.78	53,900	0.72	3.29	49,700	0.72	3.60	47,100	0.75	4.09	43,600	0.75	4.48
	80 / 67	54,600	0.75	2.80	49,900	0.77	3.30	46,000	0.80	3.71	42,900	0.80	4.07	40,000	0.81	4.47
	75 / 63	50,700	0.76	2.82	46,700	0.79	3.30	43,300	0.82	3.70	40,400	0.82	4.06	38,100	0.86	4.47
	75 / 57	47,200	1.00	2.83	43,800	1.00	3.29	41,000	1.00	3.70	39,000	1.00	4.06	36,900	1.00	4.47
PRPGE1460	85 / 72	70,300	0.63	3.50	66,100	0.64	4.19	62,800	0.65	4.72	59,200	0.70	5.27	55,500	0.76	5.82
	80 / 67	65,700	0.69	3.47	61,000	0.71	4.08	57,400	0.73	4.69	54,300	0.78	5.24	51,200	0.83	5.78
	75 / 63	61,400	0.72	3.45	56,300	0.74	4.12	52,300	0.76	4.63	50,200	0.80	5.19	48,000	0.85	5.75
	75 / 57	54,500	1.00	3.42	50,100	1.00	4.09	50,100	1.00	4.09	46,700	1.00	5.17	45,900	1.00	5.73

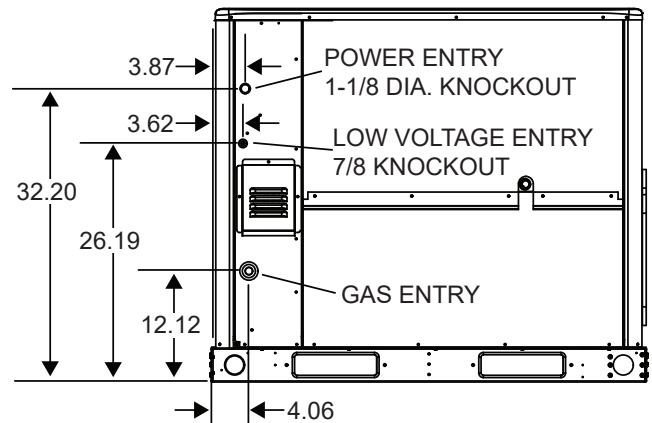
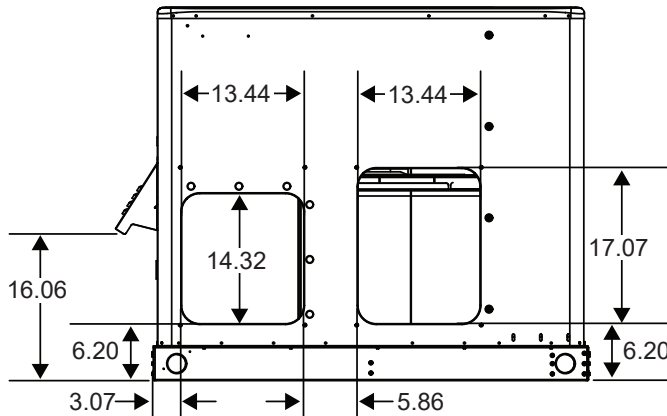
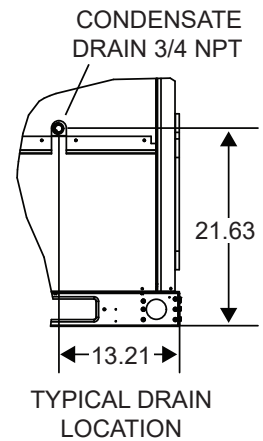
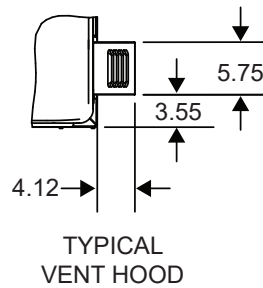
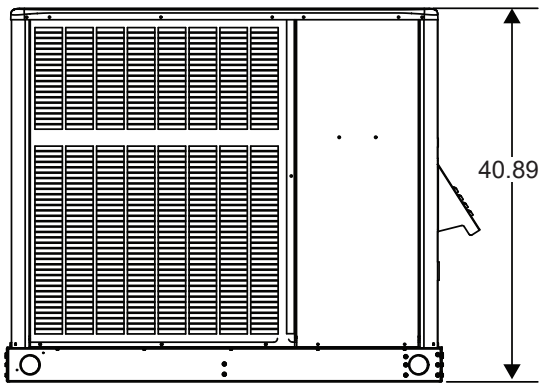
**ACCESSORY AIR RESISTANCE DATA - in. w.g.**

Air Volume cfm	Rectangular to Round Duct Adaptor Kits					
	Downflow		Horizontal			
	14 in. Diameter		14 in. Diameter		16 in. Diameter	18 in. Diameter
	24, 30, 36	42, 48, 60	24, 30, 36	42, 48, 60	42, 48, 60	42, 48, 60
500	0.03	---	0.04	---	---	---
600	0.05	---	0.07	---	---	---
700	0.08	0.13	0.08	0.13	---	---
800	0.10	0.17	0.12	0.16	---	---
900	0.12	0.21	0.15	0.21	---	---
1000	0.17	0.24	0.19	0.25	0.11	0.03
1100	0.18	0.30	0.23	0.30	0.11	0.03
1200	0.20	0.36	0.29	0.37	0.13	0.03
1300	0.26	0.43	0.31	0.43	0.17	0.03
1400	0.31	0.50	0.39	0.51	0.20	0.03
1500	---	0.57	---	0.57	0.21	0.05
1600	---	0.63	---	0.65	0.26	0.05
1700	---	0.71	---	0.72	0.30	0.06
1800	---	0.80	---	0.81	0.30	0.06
1900	---	0.91	---	0.90	0.40	0.06
2000	---	0.99	---	1.01	0.41	0.06

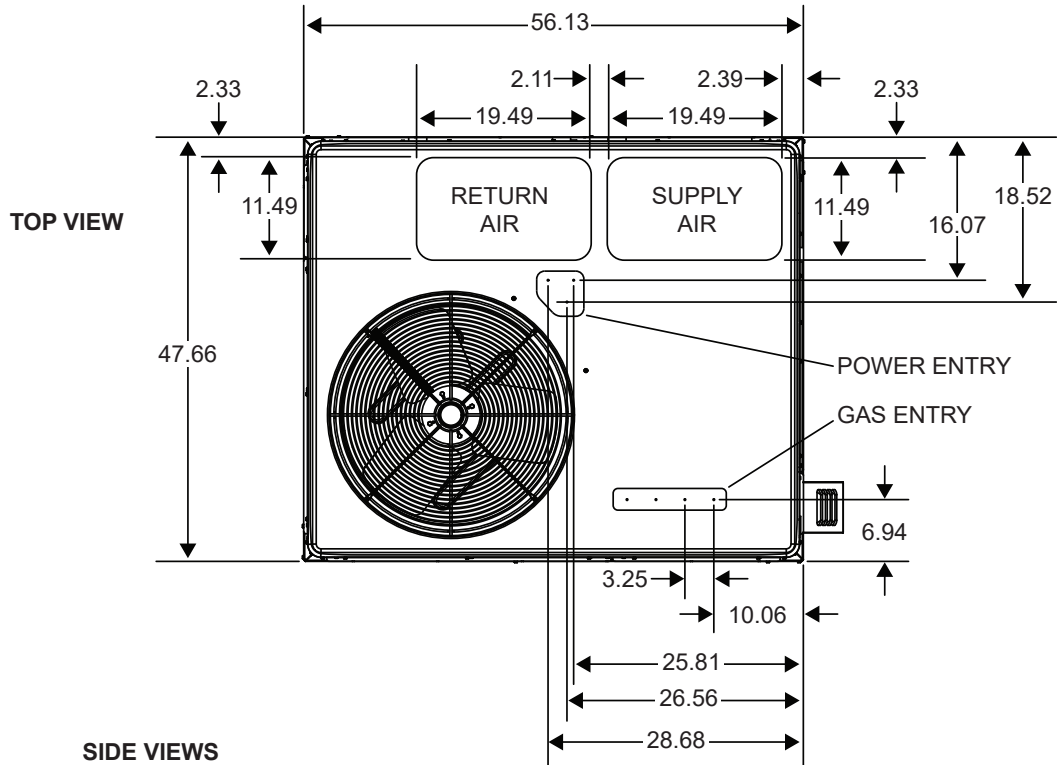
**DIMENSIONS (IN.) - SMALL BASE**



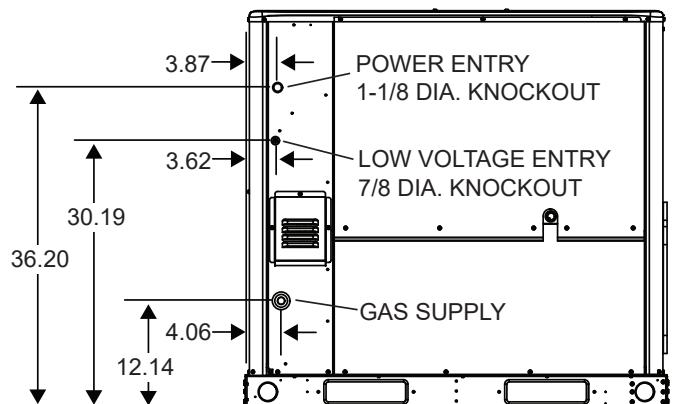
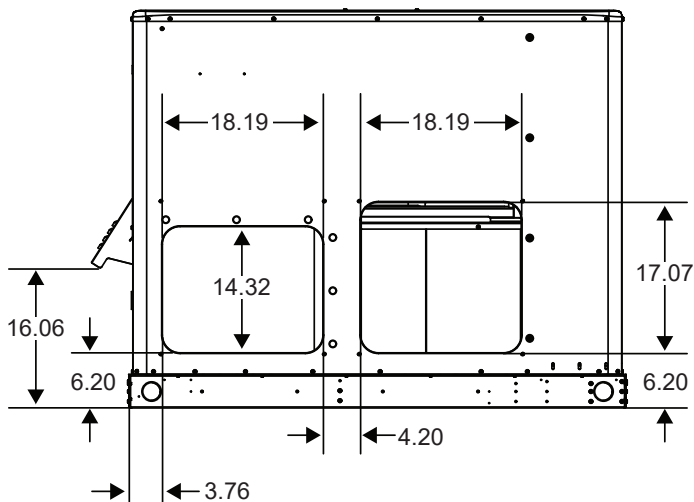
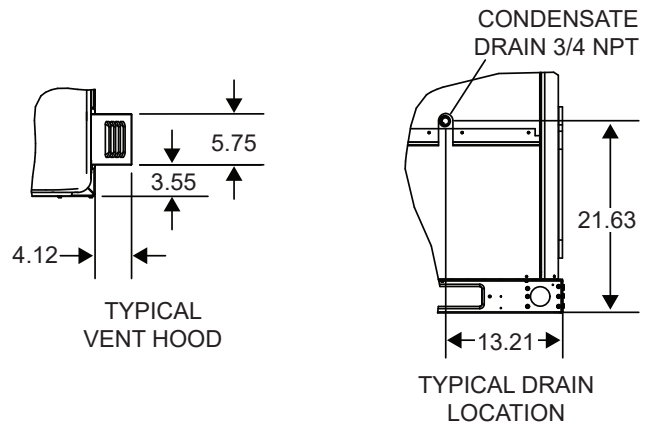
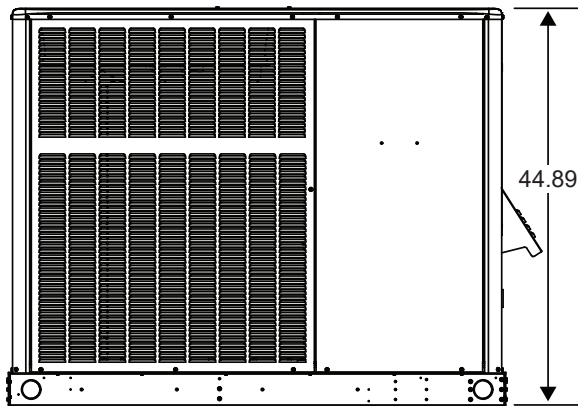
**SIDE VIEWS**



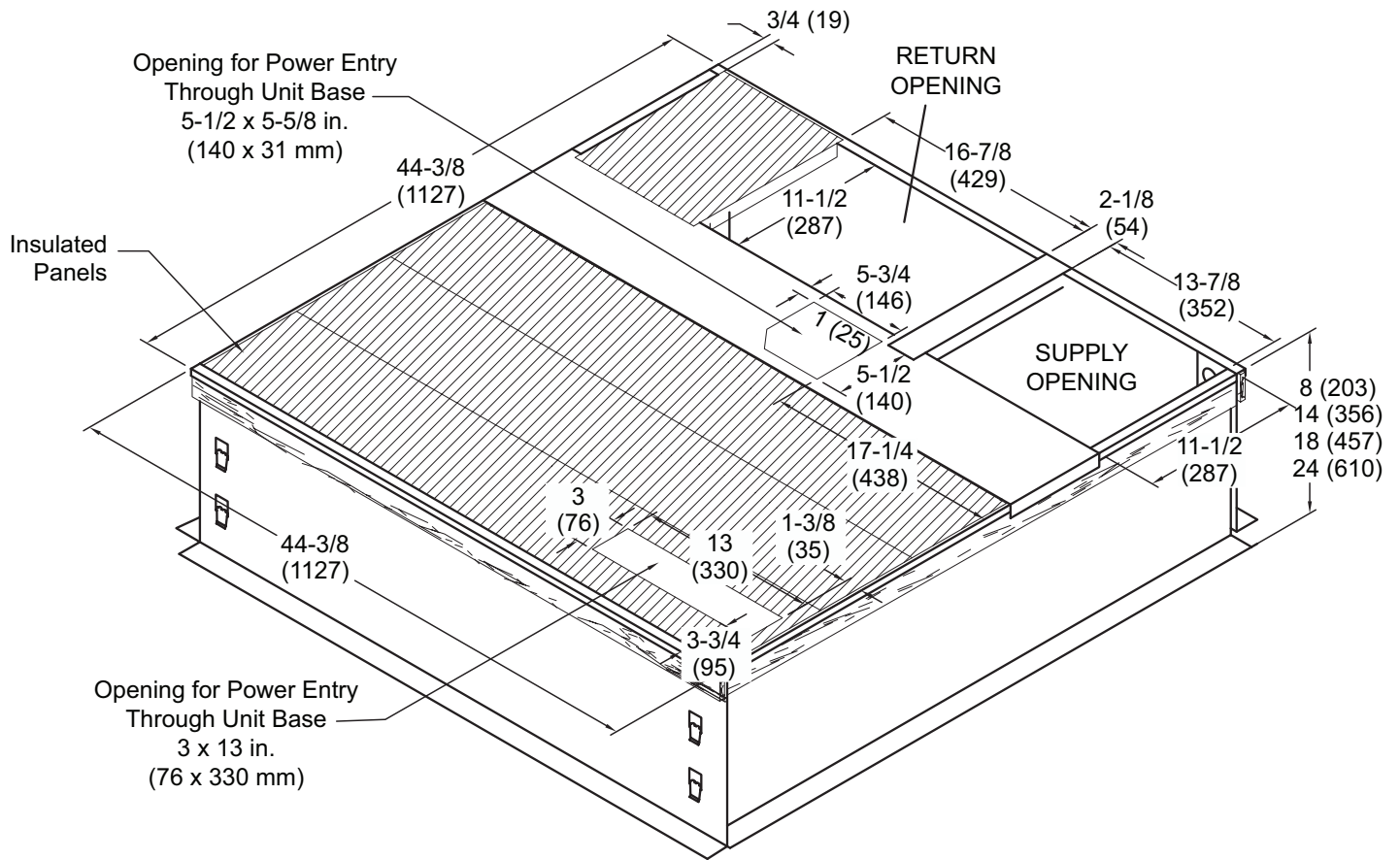
**DIMENSIONS (IN.) - LARGE BASE**



**SIDE VIEWS**



**ROOF CURB DIMENSIONS - SMALL BASE**



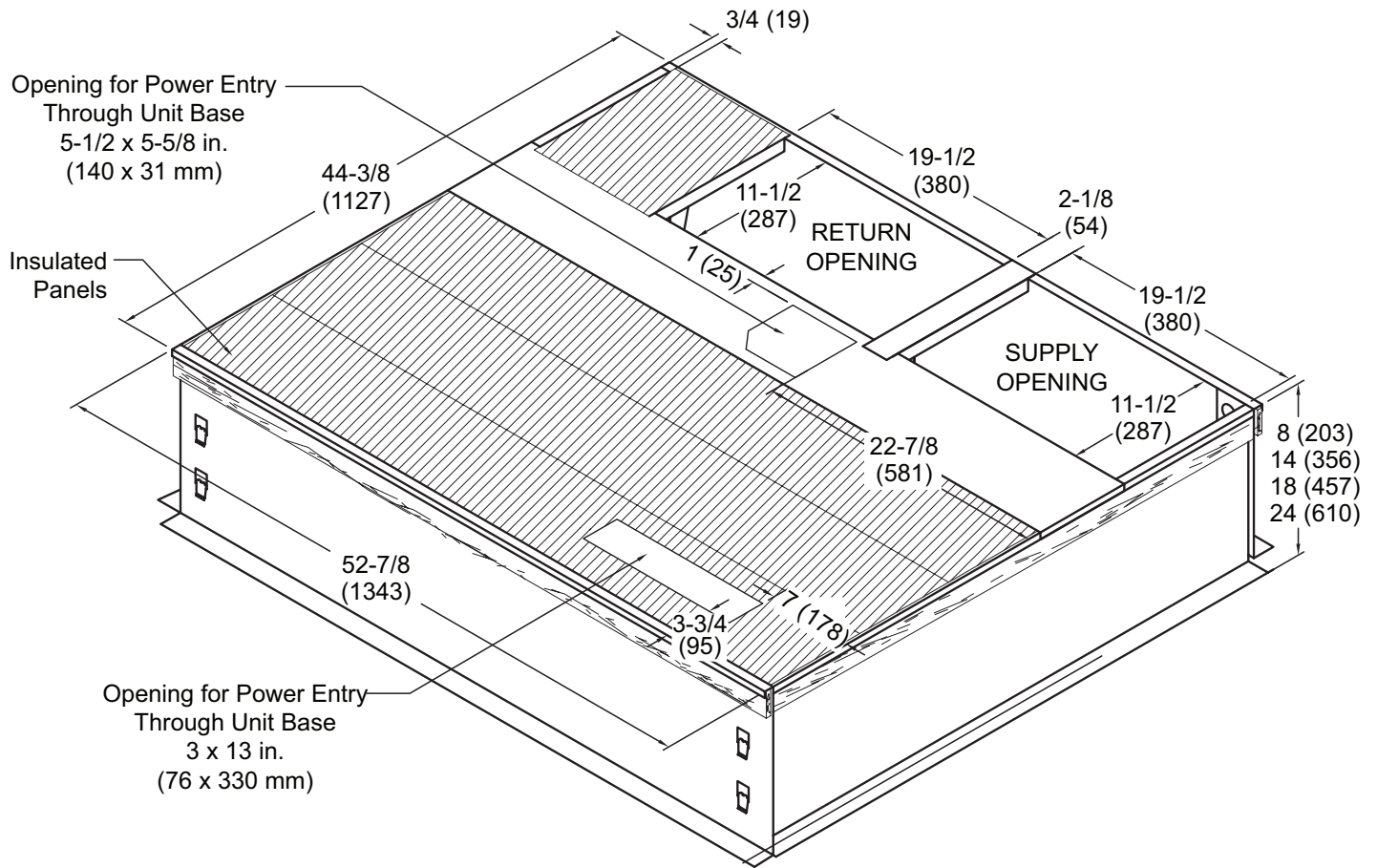
NOTE - If bottom entry is used, condensate from the heat exchanger may leak during warm ambient temperatures in humid climates. Ensure that bottom entry is watertight, if used.

NOTE - Roof deck may be omitted within confines of curb.

NOTE - All Curbs::

- IBC 2018 compliant
- CBC 2019 compliant
- Seismic rating - SDS 2.0g, z/h=1, Ip=1.5
- Wind rating - 240 mph (Lateral), 214 mph (Uplift)
- Maximum load rating - 800 lbs.
- Tool-less filter access panels NOT for seismic-rated applications

## ROOF CURB DIMENSIONS - LARGE BASE



NOTE - If bottom entry is used, condensate from the heat exchanger may leak during warm ambient temperatures in humid climates. Ensure that bottom entry is watertight, if used.

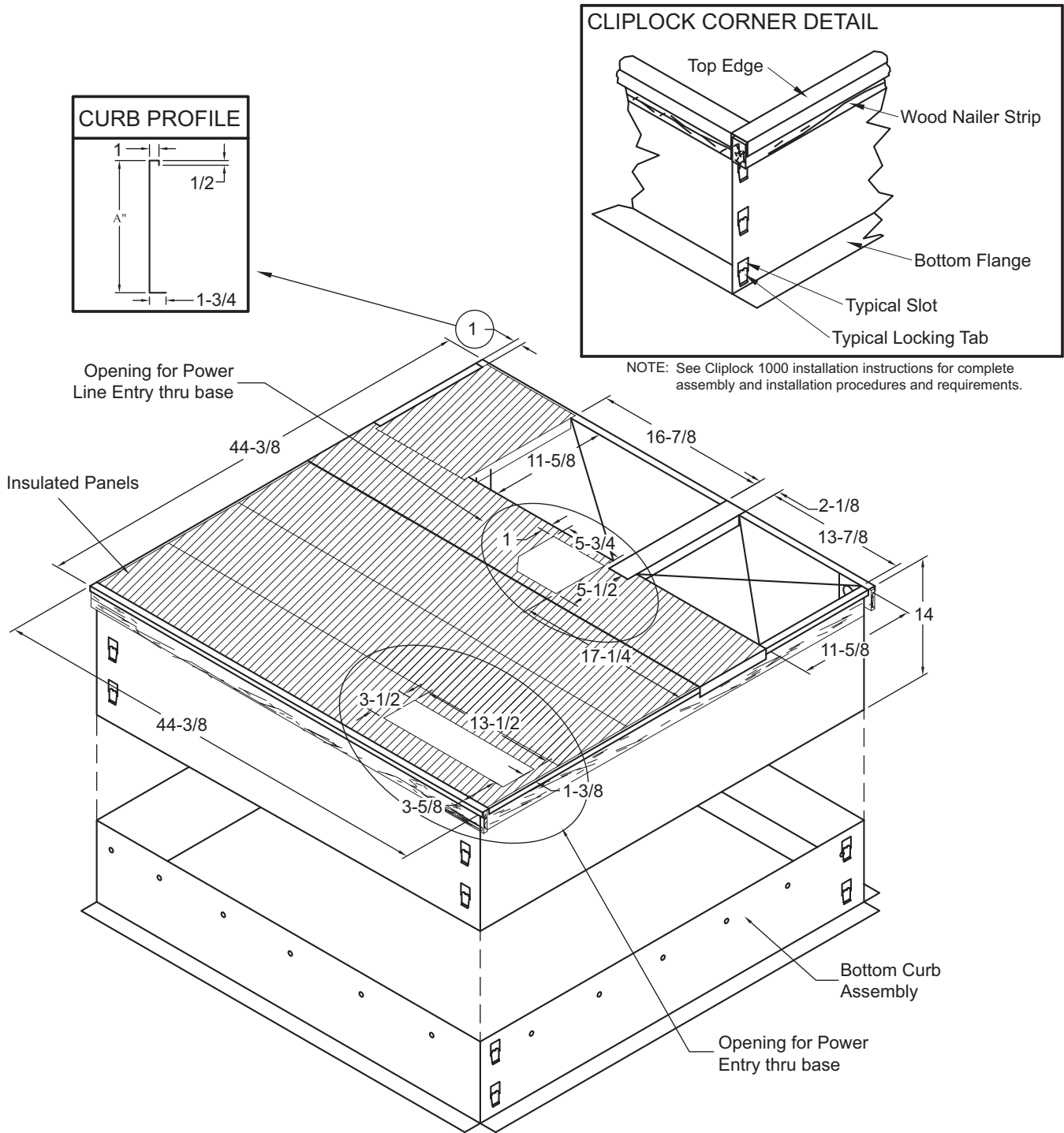
NOTE - Roof deck may be omitted within confines of curb.

NOTE - All Curbs::

- IBC 2018 compliant
- CBC 2019 compliant
- Seismic rating - SDS 2.0g, z/h=1, Ip=1.5
- Wind rating - 240 mph (Lateral), 214 mph (Uplift)
- Maximum load rating - 800 lbs.
- Tool-less filter access panels NOT for seismic-rated applications



**ADJUSTABLE CURB (KNOCK-DOWN STYLE) DIMENSIONS - SMALL BASE**



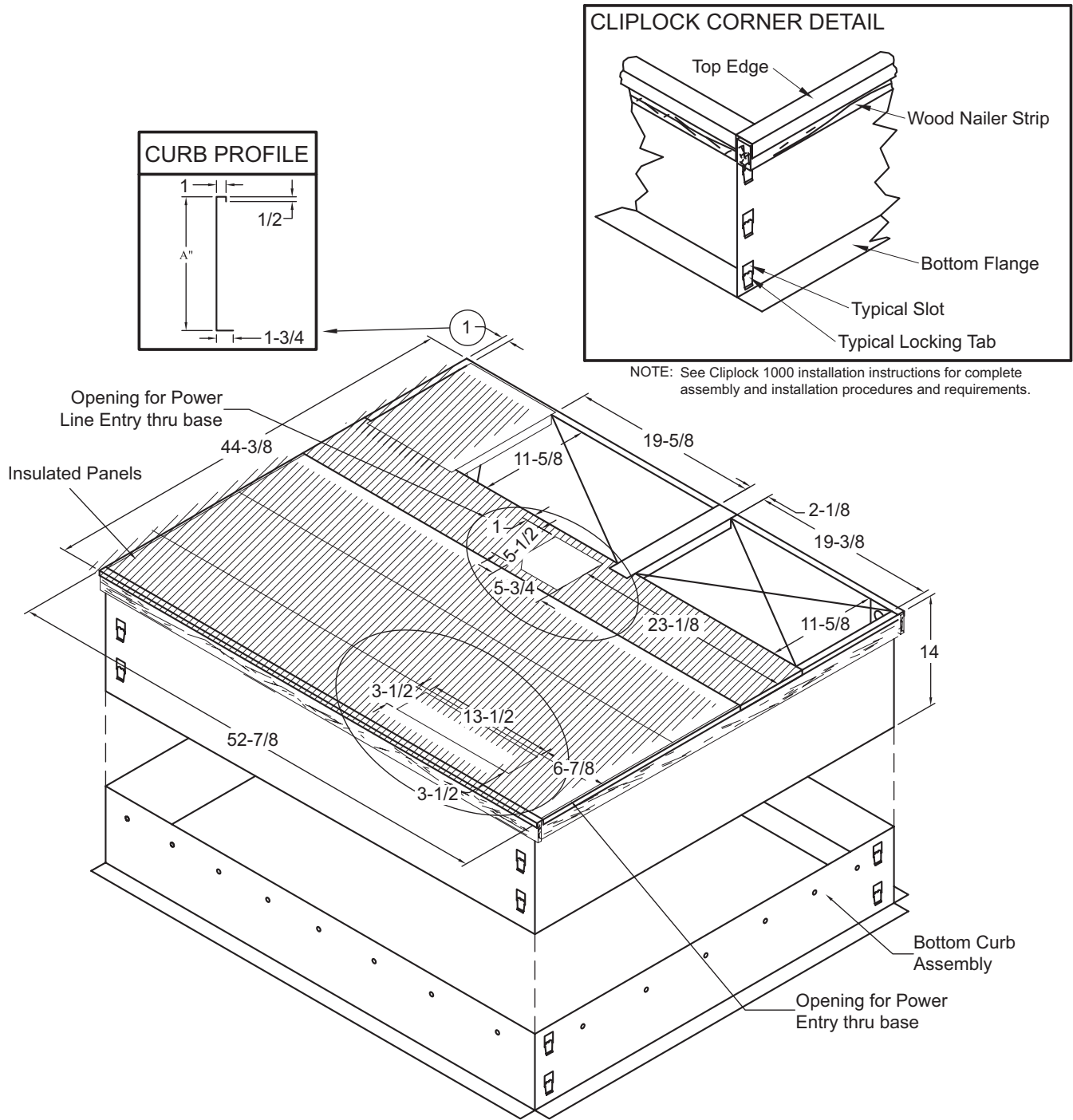
NOTE - If bottom entry is used, condensate from the heat exchanger may leak during warm ambient temperatures in humid climates. Ensure that bottom entry is watertight, if used.

NOTE - Roof deck may be omitted within confines of curb.

NOTE - All Curbs::

- IBC 2018 compliant
- CBC 2019 compliant
- Seismic rating - SDS 2.0g, z/h=1, Ip=1.5
- Wind rating - 240 mph (Lateral), 214 mph (Uplift)
- Maximum load rating - 800 lbs.
- Tool-less filter access panels NOT for seismic-rated applications

**ADJUSTABLE CURB (KNOCK-DOWN STYLE) DIMENSIONS - LARGE BASE**



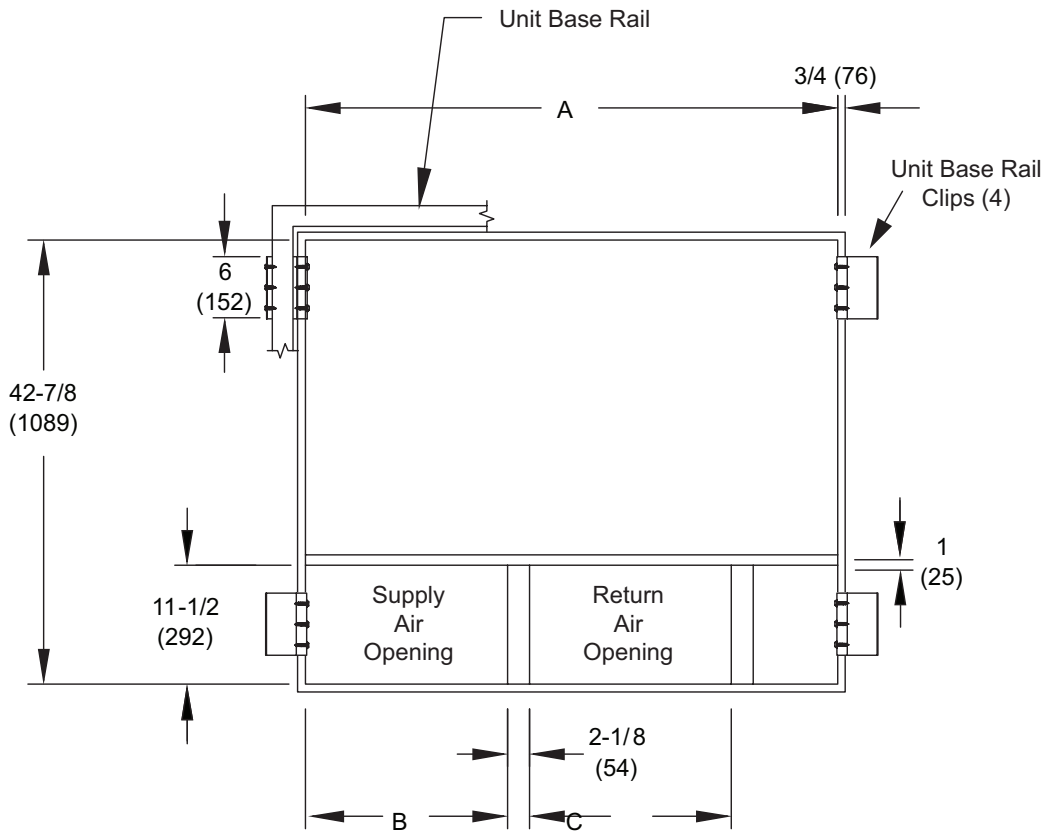
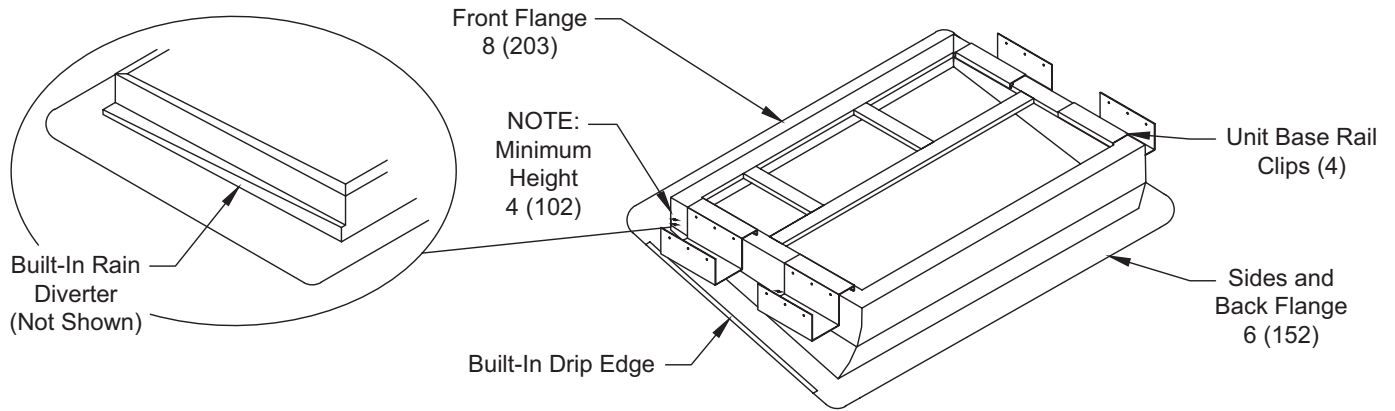
NOTE - If bottom entry is used, condensate from the heat exchanger may leak during warm ambient temperatures in humid climates. Ensure that bottom entry is watertight, if used.

NOTE - Roof deck may be omitted within confines of curb.

NOTE - All Curbs::

- IBC 2018 compliant
- CBC 2019 compliant
- Seismic rating - SDS 2.0g, z/h=1, Ip=1.5
- Wind rating - 240 mph (Lateral), 214 mph (Uplift)
- Maximum load rating - 800 lbs.
- Tool-less filter access panels NOT for seismic-rated applications

**ADJUSTABLE CURB (WELDED STYLE) DIMENSIONS**



Usage	A		B		C	
	in.	mm	in.	mm	in.	mm
24,30,36	42-7/8	1089	13-7/8	352	16-7/8	429
42,48,60	51-3/8	1305	19-1/2	495	19-1/2	495

**ACCESSORIES**

Description		Where Used	Kit Number
Compressor Crankcase Heater		36, 42, 48, 60	11X27
Compressor Hard Start Kit		24, 30, 36	10J42
		42, 48, 60	88M91
Compressor Timed-Off Control		All	47J28
Low Ambient Kit		All	21D20
Internal Filter Rack Kit		24, 30, 36	11U73
		42, 48, 60	11U74
LPG/Propane Conversion Kit		All Models Before Serial Number 1621B16144	21V12 and 22B87
		All Models After Serial Number 1621B16145	22B87
8" Height Full Perimeter Curb		24, 30, 36	21J13
		42, 48, 60	21J17
14" Height Full Perimeter Curb		24, 30, 36	21J14
		42, 48, 60	21J19
18" Height Full Perimeter Curb		24, 30, 36	21J15
		42, 48, 60	21J20
24" Height Full Perimeter Curb		24, 30, 36	21J16
		42, 48, 60	21J25
Adjustable Pitch Roof Curb (Knock-Down Style)		24, 30, 36	21J26
		42, 48, 60	21U04
Adjustable Pitch Roof Curb (Welded Style)		24, 30, 36	22V54
		42, 48, 60	22V55
Strapping Kit - Hurricane		Slab	21J74
		Rail	22G53
Strapping Kit - Seismic		All	21J75
Duct Adapter Kit - Horizontal	14 in. dia.	24, 30, 36	21J92
	14 in. dia.	42, 48, 60	21D24
	16 in. dia.	42, 48, 60	22U78
	18 in. dia.	42, 48, 60	22U79
Duct Adapter Kit - Downflow	14 in. dia.	24, 30, 36	20X82
	14 in. dia.	42, 48, 60	21D26
Bottom Power Entry Kit		All	21J78
Bottom Gas Entry Kit		All	21D34
Base Rail Openings - Closure Kit		All	21J84



1-800-448-5872

All specifications and illustrations subject to change without notice and without incurring obligations.