

**Vive Comfort**  
 P.O. Box 3377  
 Springfield, MO 65808-3377  
 Toll Free : 888-776-1427  
 Web: www.vivecomfort.com  
 Hours of Operation: M-F 9AM - 6PM Eastern



### Thermostat Application Guide

Description	
Gas or Oil Heat	Yes
Electric Furnace	Yes
Heat Pump (No Aux. or Emergency Heat)	Yes
Heat Pump (With Aux. or Emergency Heat)	Yes
Multi-Stage Systems	Yes
Heat Only Systems	Yes
Cool Only Systems	Yes
Millivolt	No
Wired Remote Sensing	Yes
Any HVAC system up to 5H/3C with standard low voltage controlled humidifier.	Yes
Any HVAC system up to 5H/3C with standard low voltage controlled de-humidifier.	Yes

### Power Type

Hardwire (Common Wire)

**A trained, experienced technician must install this product.**  
 Carefully read these instructions. You could damage this product or cause a hazardous condition if you fail to follow these instructions.

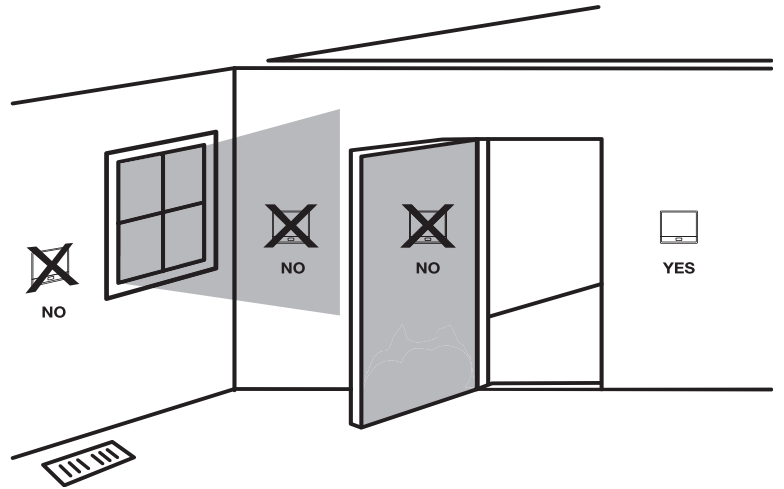
Una version en espanol de este manual se puede descargar en la pagina web de la compania.

### Table of Contents

Table of Contents	Page
Installation Tips	2-4
Thermostat Quick Reference	5-8
Wiring	9-10
Wiring Diagrams	11-14
Technician Setup Menu	15-33
WIFI Tech Settings	34
Setting Humidity	35-37
Programming	38-43
Features	44
Remote Sensor Operation	45
Specifications	46

### Wall Locations

The thermostat should be installed approximately 4 to 5 feet above the floor. Select an area with average temperature and good air circulation.



### Do not install thermostat in these locations:

- Close to hot or cold air ducts
- That are in direct sunlight
- With an outside wall behind the thermostat
- In areas that do not require conditioning
- Where there are dead spots or drafts (in corners or behind doors)
- Where there might be concealed chimneys or pipes

### Installation Tip

Pick an installation location that is easy for the user to access. The temperature of the location should be representative of the building.

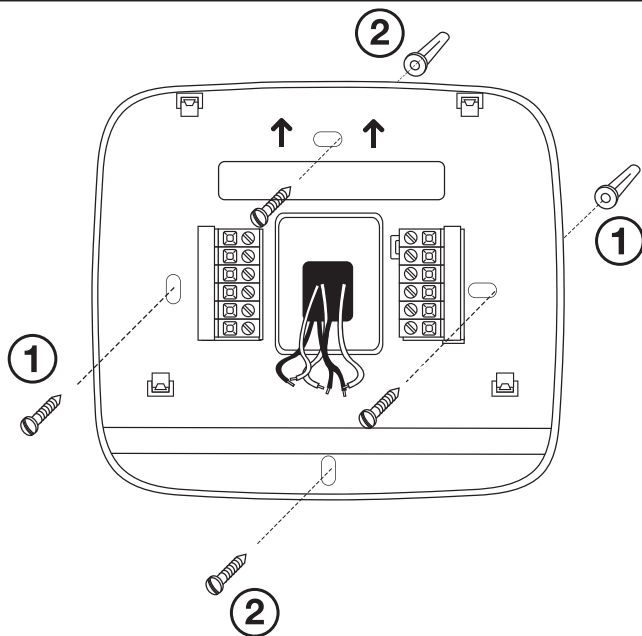
1 © U.S. Registered Trademark. Patents pending  
 Copyright © 2024 All Rights Reserved.

Rev. 2443

2

## Installation Tips

### Subbase Installation



- 1 Horizontal Mount** For horizontal mount put one screw on the left and one screw on the right.
- 2 Vertical Mount** For vertical mount put one screw on the top and one screw on the bottom.

### Installation Tip: Electrical Hazard

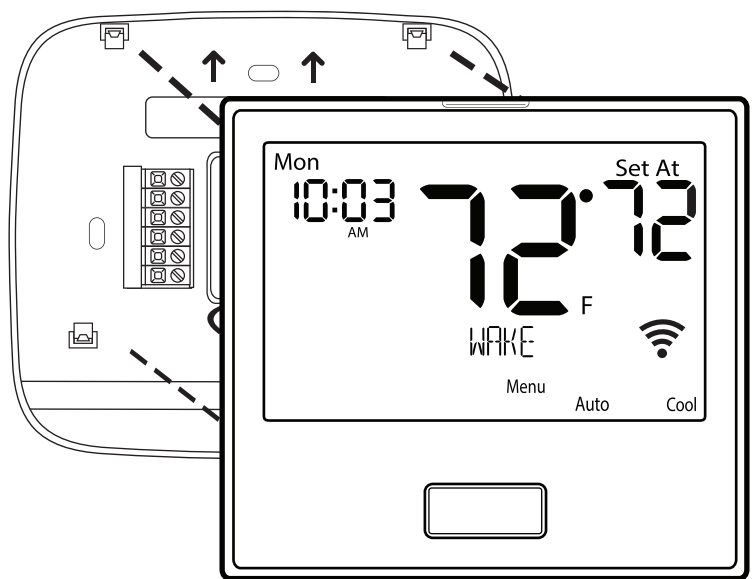
Failure to disconnect the power before beginning to install this product can cause electrical shock or equipment damage.

### Mercury Notice

All of our products are mercury free. However, if the product you are replacing contains mercury, dispose of it properly. Your local waste management authority can give you instructions on recycling and proper disposal.

## Installation Tips

### Mount Thermostat



Align the 4 tabs on the subbase with corresponding slots on the back of the thermostat, then push gently until the thermostat snaps in place.

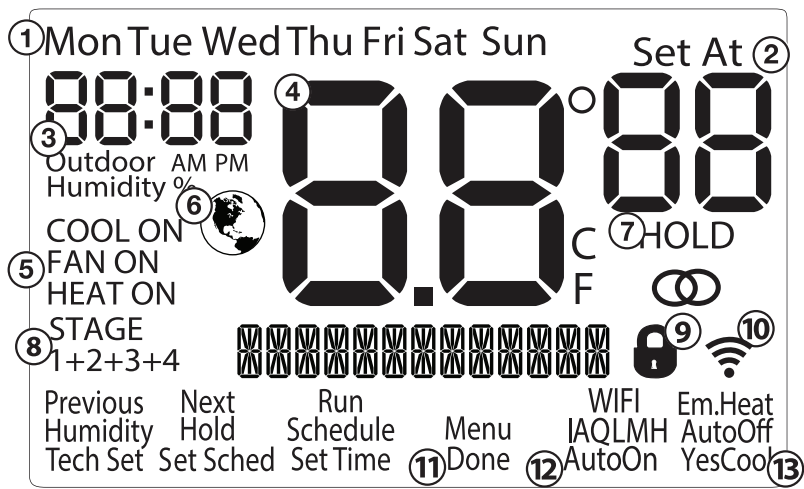
### Note: To ensure a solid fit between the thermostat and the subbase:

1. Mount subbase to a flat wall
2. Use screws provided
3. Drywall anchors should be flush with the wall
4. Wires should be pushed into the wall

3

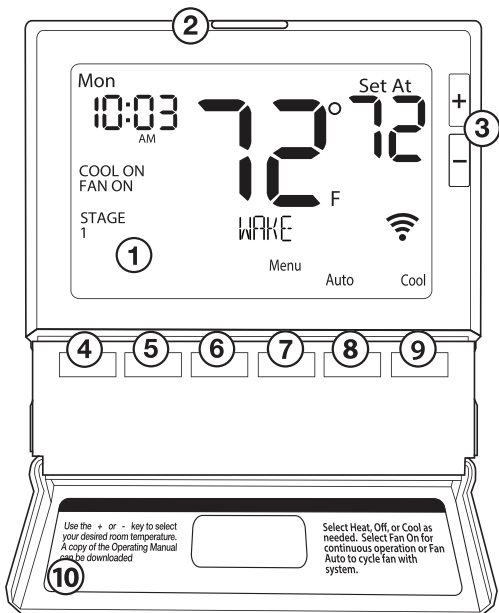
4

Getting to know your thermostat



Getting to know your thermostat

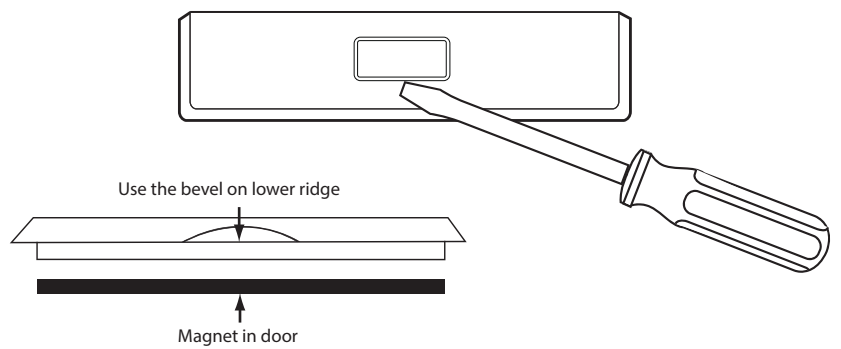
- ① Day of the Week
- ② Setpoint Indicator: Displays the user selectable setpoint temperature.
- ③ Time of Day / Outdoor Temp / % Humidity
- ④ Indicates current room temperature
- ⑤ Indicates if heating or cooling equipment is running
- ⑥ Energy Efficient Globe: Indicates the setpoint temperature chosen is a efficient choice.
- ⑦ Hold Indicator: Displayed when the thermostat is in permanent hold
- ⑧ Indicates the number of heating or cooling stages running
- ⑨ Keypad Lockout: Indicates the thermostat is in keypad lockout
- ⑩ WiFi Indicator: Indicates if WiFi is connected.
- ⑪ Program Menu Buttons: Shows different options during programming.
- ⑫ Fan Button: Changes the fan operation between Auto, IAQ, and On.
- ⑬ System Button: Changes the system operation between Off, Cool, Auto, Heat, and Emergency Heat based on system tech setting.



- ① LCD Display
- ② Glow in the dark light button
- ③ Setpoint buttons
- ④-⑥ Program buttons
- ⑦ Menu button
- ⑧ Fan button
- ⑨ System button
- ⑩ Button access door

About The Badge

All of our thermostats use the same universal magnetic badge. Visit the company website to learn more about our free private label program.



Gently slide a screwdriver into the bottom edge of the badge. Gently turn the screwdriver counter clockwise. The badge is held on by a magnet in the well of the button door. The badge should pry off easily. **DO NOT USE FORCE.**



**Caution:**  
**Electrical Hazard**

Failure to disconnect the power before beginning to install this product can cause electrical shock or equipment damage.



**Warning:**

All components of the control system and the thermostat installation must conform to Class II circuits per the NEC Code.

**Wiring**

1. If you are replacing a thermostat, make note of the terminal connections on the thermostat that is being replaced. In some cases the wiring connections will not be color coded. For example, the green wire may not be connected to the **G** terminal.
2. Loosen the terminal block screws. Insert wires then retighten the terminal block screws.
3. Place nonflammable insulation into the wall opening to prevent drafts.



**Installation Tip**

Do not overtighten terminal block screws, as this can damage the terminal block. A damaged terminal block can keep the thermostat from fitting on the subbase correctly or cause system operation issues.

**Max Torque = 6in-lbs.**

**Wiring Tips**

**C Terminal**

This thermostat requires a 24V common wire to the C terminal.

**Note:**

In many heat pump systems with no emergency heat relay, a jumper can be installed between **E** and **W2** to turn thermostat into a single stage control for Emergency Heat Operation.

**Wire Specifications**

Use shielded or non-shielded 18-22 gauge thermostat wire.

**Note:**

Outdoor temperature sensor, Indoor temperature sensors, and Slab sensor wiring diagrams are located in R250S and R251S manuals.

**Terminal Designations**

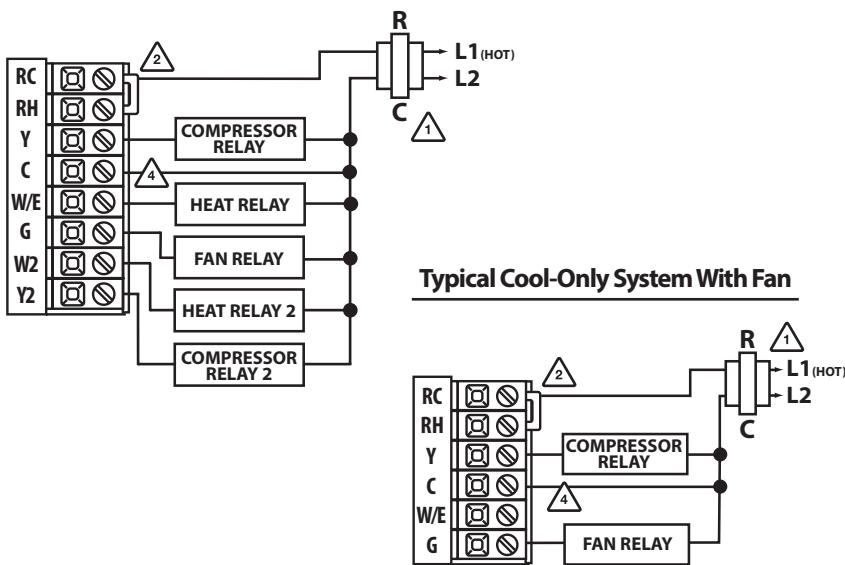
This thermostat is shipped from the factory to operate a conventional heating and cooling system. This thermostat may also be configured for a heat pump system. See the "heat pump" configuration step on page 16 of this manual to configure the thermostat for heat pump applications.

Terminal	2 Heat 2 Cool Conventional System	2 Heat 1 Cool Heat Pump System	4 Heat 2 Cool Heat Pump System	5 Heat 3 Cool Heat Pump System
RC	Transformer power (cooling)	Transformer power (cooling)	Transformer power (cooling)	Transformer power (cooling)
RH	Transformer power (heating)	Transformer power (heating)	Transformer power (heating)	Transformer power (heating)
C	Transformer common	Transformer common	Transformer common	Transformer common
B	Reversing valve / configurable terminal	Reversing valve / configurable terminal	Reversing valve / configurable terminal	Reversing valve / 3rd stage of heat & cool
O	Reversing valve / configurable terminal	Reversing valve / configurable terminal	Reversing valve / configurable terminal	Reversing valve / 3rd stage of heat & cool
G	Fan relay	Fan relay	Fan relay	Fan relay
W/E	First stage of heat	Emergency Heat	First stage of auxiliary heat	First stage of auxiliary heat (4th stage of heat)
Y	First stage of cool	First stage of heat & cool	First stage of heat & cool	First stage of heat & cool
Y2	Second stage of cool	N/A	Second stage of heat & cool	Second stage of heat & cool
W2	Second stage of heat	Auxiliary heat	Second stage of auxiliary heat	Second stage of auxiliary heat (5th stage of heat)
S1/S2	Remote Sensor	Remote Sensor	Remote Sensor	Remote Sensor
H	Humidify	Humidify	Humidify	Humidify
D	Dehumidify	Dehumidify	Dehumidify	Dehumidify

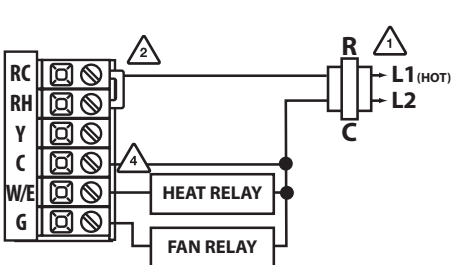
**Wiring Diagrams**

- 1 Power supply
- 2 Factory-installed jumper. Remove only when installing on 2-transformer systems

**Typical 2H/2C System: 1 Transformer**



**Typical Heat Only System With Fan**



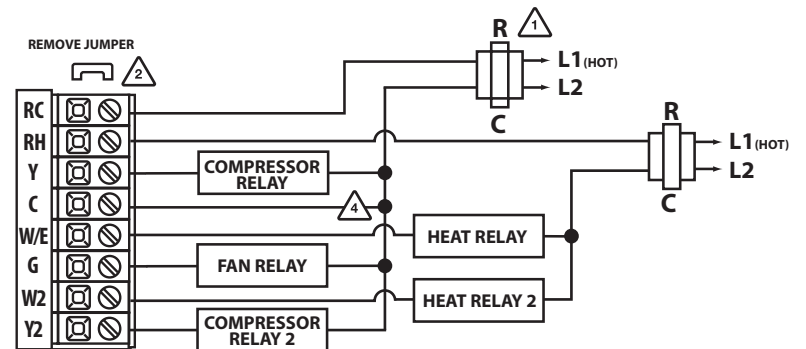
**Note:**

In many systems with no emergency heat relay a jumper can be installed between E and W2.

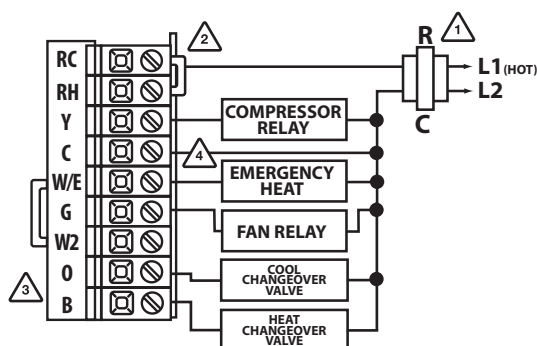
**Wiring Diagrams**

- 3 Use either O or B terminals for changeover valve
- 4 A 24 VAC common connection is required with this thermostat.
- 5 If DEHUM relay requires a normally-energized input, set Dehumidify relay to NC in Technician Setup.

**Typical 2H/2C System: 2 Transformer**



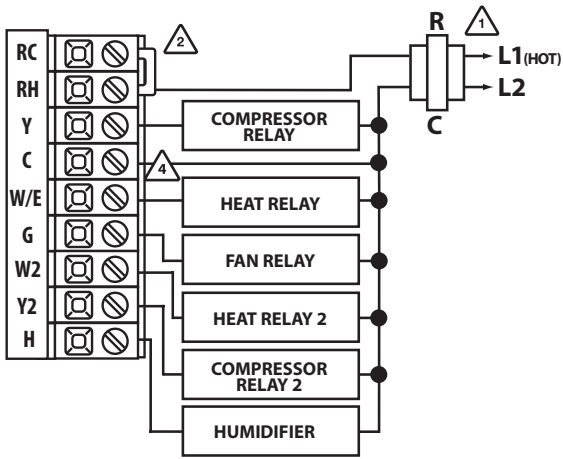
**Typical 2H/1C Heat Pump System**



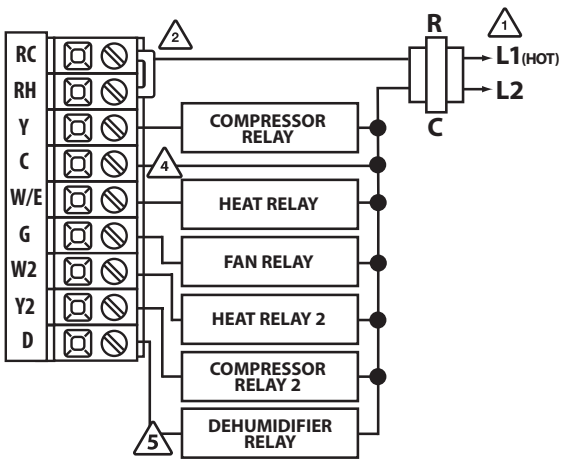
# Wiring Diagrams

- 1 Power supply
- 2 Factory - installed jumper. Remove only when installing on 2 transformer systems.
- 3 Use either O or B terminals for changeover valve.

Typical 2H/2C system with 24 VAC Humidifier



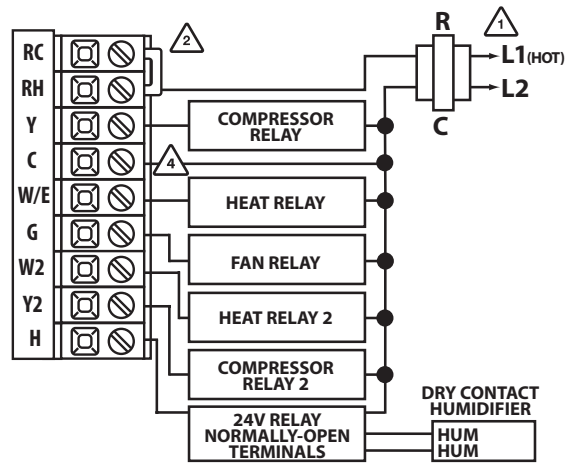
Typical 2H/2C system with Dehumidify Terminal



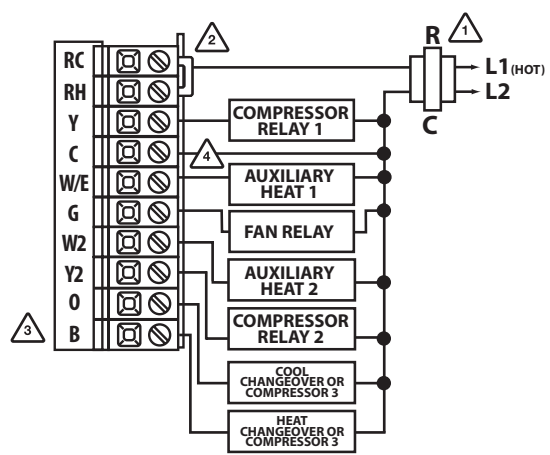
# Wiring Diagrams

- 4 A 24 VAC common connection is required with this thermostat.
- 5 If DEHUM relay requires a normally-energized input, set Dehumidify relay to NC in Technician Setup.

Typical 2H/2C system with Dry Contact Humidifier



Typical 5H/3C Heat Pump System



13

## Technician Setup Menu

This thermostat has a technician setup menu for easy installer configuration. To set up the thermostat for your particular application:

1. Press the **MENU** button.
2. Press and hold the **TECH SET** button for 3 seconds. This 3 second delay is designed so that homeowners do not accidentally access the installer settings.
3. Configure the installer options as desired using the table below.

Use the **+** or **-** keys to change settings and the **NEXT** or **PREV** key to move from one step to another.

**Note:** Only press the **DONE** key when you want to exit the Technician Setup options.

4. Press the **DONE** key to exit.

Tech Setup Steps	LCD Will Show	Adjustment Options	Default
Filter Change Reminder	OF F I L T E R	You can adjust the filter change reminder from "OFF" to 2000 hours of runtime in 50 hour increments.	OFF
Room Temperature Calibration	0 C A L I B R A T E	You can adjust the room temperature display to read up to 4° above or below the factory calibrated reading.	0°F
Cooling Swing	0.5 C O O L S W I N G	The cooling swing setting is adjustable from 0.2° to 2°. For example: A swing setting of 0.5° will turn the cooling on at approximately 0.5° above the setpoint and turn the cooling off at approximately 0.5° below the setpoint.	0.5°

### Swing Setting Tip

The second stage will turn on at 2x the swing setting. The second stage will turn off when 1x the swing is reached. For example, if the swing setting is .5 degrees for heating and the thermostat is set at 70°F, the first stage will turn on at approximately 69.5°F. The second stage will turn on at 69°F. The second stage will turn off at 69.5°F and the first will turn off at 70.5°F. If the third stage is used, it will turn on at 68.5°F and turn off at approximately 69°F.

15

## Technician Setup Menu

Tech Setup Steps	LCD Will Show	Adjustment Options	Default
Heating Swing	0.4 H E A T S W I N G	The heating swing setting is adjustable from 0.2° to 2°. For example: A swing setting of 0.5° will turn the heating on at approximately 0.5° below the setpoint and turn the heating off at 0.5° above the setpoint.	0.4°
PTAC Mode	OF P T A C M O D E	Use the <b>+</b> and <b>-</b> buttons to select ON/OFF.	OFF
PTAC Fan Speeds	2 F A N S P E E D S	Use the <b>+</b> and <b>-</b> buttons to select, 2 or 3. 1. Speeds: ON, Auto 2. Speeds: Low, High, Auto 3. Speeds: Low, Med, High, Auto	2
PTAC Medium Fan Speed Terminal	0 M E D F A N T E R M	Use the <b>+</b> and <b>-</b> buttons to select O/B terminals.	0
Heat Pump	OF H E A T P U M P	OFF configures the thermostat for conventional systems. ON configures the thermostat for heat pump systems.	OFF

System Mode	Default Heat	Heat Options	Cool Default	Cool Options
PTAC (conventional)	1	1	1	1
PTAC (Heat Pump)	2	2, 1	1	1
Heat Pump	2	5, 4, 3, 2, 1	2	3, 2, 1
Conventional	2	2, 1	2	3, 2, 1

16

## Technician Setup Menu

Tech Setup Steps	LCD Will Show	Adjustment Options	Default
<b>System Stages</b> This setting allows you to select the number of heat and cool stages.	2H2C SET STAGES	Use the $\left[ \right]$ and $\left[ \right]$ buttons to select 1H/1C, 2H/1C, 2H/2C, 3H/1C, 3H/2C, 3H/3C, 4H/2C, 4H/3C, 5H/3C. Note: Heat and cool choices are limited based on conventional, heat pump, or PTAC system configuration.	2H
<b>Third Stage of Cool Terminal Designation</b> (Only displayed if stages of cool is set to three on previous setting) This setting allows the O or B terminal to be selected as the third stage of cool. The selected terminal will not be used for reversing valve functions in heat pump mode.	0 3 COOL TERM	Use the $\left[ \right]$ and $\left[ \right]$ buttons to select O/B.	0
<b>System Set</b> You can configure the system switch for the particular application. Heat - Off - Cool, Heat - Off, Cool - Off, Heat - Off - Cool - Auto. Note: Emergency Heat is available in heat pump mode only.	SYSTEM SET Auto Off Em. Heat Cool	Use the $\left[ \right]$ or $\left[ \right]$ buttons until the desired application is flashing. AUTO = (Auto Changeover)	Heat Off Cool
<b>Dual Fuel Auxiliary For Heat Pump</b> (Only displayed if heat pump is set to "ON") This setting allows the system to run Gas, Oil, Propane or any other types of auxiliary heat. The thermostat will default to electric auxiliary heat in heat pump applications.	OF DUAL FUEL	Use the $\left[ \right]$ and $\left[ \right]$ buttons to select ON/OFF.	OFF
<b>Electric or Gas Fan Operation</b> (Only displayed if heat pump is set to "ON") Select GAS to have the system control the fan during a call for heat, select Electric to have the thermostat control the fan during a call for heat. Note: If heat pump is set to "ON" this step will not show, and will default to ELECTRIC.	GAS FAN SET	Use $\left[ \right]$ and $\left[ \right]$ buttons to change the setting.	GAS

17

## Technician Setup Menu

Tech Setup Steps	LCD Will Show	Adjustment Options	Default
<b>Satisfy Setpoint Staging</b> (Only displayed if there are more than one stage of heat or cool) This feature allows the thermostat to keep multiple stages of heat or cool energized until the setpoint is satisfied.	OF SS STAG ING	Use the $\left[ \right]$ or $\left[ \right]$ buttons to turn on/off.	OFF
<b>Staging Delay</b> (Only displayed if there are more than one stage of heat or cool) This feature allows a delay to occur if an additional stage is needed. This allows the previous stage extra time to satisfy the setpoint. Note: Will not show if using outdoor sensor with balance point temperature.	OF STAG ING DELAY	Use the $\left[ \right]$ or $\left[ \right]$ key to select OFF, 5, 10, 15, 30, 45, 60, or 90 minutes.	OFF
<b>Minimum Compressor On Time</b> This feature allows the installer to select the minimum run time for the compressor. For example, a setting of 4 will force the compressor to run for at least 4 minutes every time the compressor turns on, regardless of the room temperature.	OF MIN COMP ON	You can set the minimum compressor run time to "OFF", "3", "4", or "5" minutes. If 3, 4 or 5 is selected, the compressor will run for at least the selected time before turning off. Use the $\left[ \right]$ and $\left[ \right]$ buttons to change the setting.	OFF
<b>Compressor Short Cycle Delay</b> The compressor short cycle delay protects the compressor from "short cycling". This feature will not allow the compressor to be turned on for 5 minutes after it was last turned off.	ON COMP DELAY	Selecting "ON" will not allow the compressor to be turned on for 5 minutes after the last time the compressor was on. Select "OFF" to remove this delay. Use the $\left[ \right]$ and $\left[ \right]$ buttons to change the setting.	ON
<b>Cooling Fan Delay</b> The cooling fan delay setting will delay the fan from coming on in cool mode and keep it running after the compressor shuts off for a short time to save energy in some systems.	OF COOL FAN DL	You can set the cooling fan delay to OFF, 10, 30, 60 or 90 seconds. If 10, 30, 60, or 90 is selected the fan will not turn on for that many seconds when there is a call for cool and will run for that many seconds after satisfying a call for cool.	OFF

18

## Technician Setup Menu

Tech Setup Steps	LCD Will Show	Adjustment Options	Default
<b>Program Options</b> You can configure this thermostat to have a 7 day program or No program. Note: If 7d is selected, in set schedule you will program all seven days individually. If 0d is selected the thermostat becomes non-programmable and the Set Schedule button goes away in Menu.	7d PROGRAM	Use the $\left[ \right]$ and $\left[ \right]$ button to select 7d for 7 day or 0d for non-programmable.	7d
<b>Time Periods</b> (Only displayed if program option is set to 5d or 7d) You can configure this thermostat to have 2 or 4 programmable time periods per day.	4 TIME PERIODS	Use the $\left[ \right]$ and $\left[ \right]$ buttons to select 4, 2C, or 4C time periods per day. 4: Wake, Leave, Return & Sleep. 2C: time periods are Occupied & Unoccupied. 4C: time periods are Occupied 1, Unoccupied 1, Occupied 2, & Unoccupied 2	4
<b>Pro Recovery</b> This feature will start heating and cooling early to bring the building temperature to its programmed setpoint by the beginning of the WAKE, RETURN and OCCUPIED time periods.	ON PRO RECOVERY	Use the $\left[ \right]$ or $\left[ \right]$ key to select on or off.	ON
<b>Cycle Minimizer</b> (Only displayed if program option is set to 5d or 7d) This setting maximizes efficiency and equipment longevity by increasing the heating and cooling swing settings to 2° during the unoccupied and leave time periods. This will result in significantly fewer system cycles.	OF CYCLE MIN	Use the $\left[ \right]$ or $\left[ \right]$ key to select on or off.	OFF

19

## Technician Setup Menu

Tech Setup Steps	LCD Will Show	Adjustment Options	Default
<b>Keypad Lockout</b> Keypad lockout allows you to configure the thermostat so some or all of the keys don't function.	OF KEY LOCKOUT	Use the $\left[ \right]$ and $\left[ \right]$ buttons to select OFF, BASIC, PART, FULL OF - OFF= keypad lockout has been disabled. BA - BASIC= basic keypad lockout locks the menu key. PA - PARTIAL= partial keypad lockout, which locks all the keys except the or setpoint keys. FU - FULL= full keypad lockout, which locks out all the keys.	OFF
<b>Keypad Lockout Code</b> (Only displayed if keypad lockout is set to Basic, Partial, or Full) Keypad lockout with code shows only when Keypad Lock is set to BASIC, PARTIAL or FULL	OF KEY CODE	1. When ON you must enter the code after pressing the $\left[ \right]$ and $\left[ \right]$ buttons together for 3 seconds to take the thermostat in or out of keypad lockout. You will then be taken to a screen that allows you to enter the code. 2. Use $\left[ \right]$ and $\left[ \right]$ to change each number. Use the Previous and Next keys to change from one number to the next. The number you are currently on will blink. 3. Press Done when completed. If entered correctly the thermostat will be removed from keypad lockout.	OFF

**Keypad Lockout Note:** The selected keypad lockout functionality must be activated after exiting tech setup. If you do not perform this procedure, all keys will function freely. To lock the keypad hold down the  $\left[ \right]$  and  $\left[ \right]$  keys for 3 seconds. You will see a lock in the display. To unlock the display hold down the  $\left[ \right]$  and  $\left[ \right]$  keys for 3 seconds.

20

## Technician Setup Menu

Tech Setup Steps	LCD Will Show	Adjustment Options	Default
<b>Keypad Lockout Code Creation</b>  (Only displayed if keypad lockout is set to Basic, Partial, or Full)	0000  KEY CODE	OFF= Code is disabled and the lock icon is used to lock and unlock the display.  ON = Create a 4 digit code that locks and unlocks the display.  NOTE: In this tech setting, the clock field will show all four characters as 0s, with the first 0 blinking.  Select the numbers of the code by using the $\square$ and $\square$ buttons and switch between numbers by using the "next" and "previous" buttons. After DONE is pressed, the created code will be saved and will be needed to activate or deactivate keypad lockout functions. The master code is 7761. The master code will override any created keypad lock code.	0000
<b>Heat Setpoint Limit</b>	HE HEAT L MIT	Use the $\square$ or $\square$ key to select the maximum heat setpoint and the minimum cooling setpoint.	90°F
<b>Cool Setpoint Limit</b>	CO COOL L MIT	Use the $\square$ or $\square$ key to select the minimum cooling setpoint.	44°F
<b>Temporary Hold Hours</b>  (Only displayed if program option is set to 5d or 7d)	4  TEMP HOLDERS	Use the $\square$ and $\square$ buttons to select 0, 1, 2, 3, 4, 5 and 6.	4

21

## Technician Setup Menu

Tech Setup Steps	LCD Will Show	Adjustment Options	Default
°F or °C	OF F OR C SET	°F for Fahrenheit °C for Celsius	°F
12 or 24 Hour Clock	12 CLOCK SET	Use the $\square$ or $\square$ key to select 12 or 24 hour clock.	12H
Pre Occupancy Fan	OF PRE-OCC FAN	You can select the pre-occupancy fan from OFF, 1, 2, or 3 hours. If 1, 2, or 3 is selected, the fan will turn on that many hours prior to the scheduled occupied time period.  Use the $\square$ and $\square$ buttons to adjust.	OFF
Display Light	DL DISPLAY LIGHT  DL HARDWARE ONLY	The display light can be configured to stay on all the time or turn on when any key is pressed. There are LOW and HIGH selections for continuous ON selection.  Use the $\square$ and $\square$ buttons to select OFF, LOW, or HIGH.  OFF configures the display light to come on when the light key or any button is pressed.  LOW configures the display light to stay on at a low intensity constantly. When a button is pressed, the display light will transition to high intensity.  HIGH configures the display light to remain on at high intensity all the time.	LOW

22

## Technician Setup Menu

Tech Setup Steps	LCD Will Show	Adjustment Options	Default
<b>Contractor Call Number</b>  Notes: If contractor call number is selected ON, the phone number entered will show in the display if there has been a continuous call for heating or cooling for 24 hours or if the light button is held down for 3 seconds. To remove the phone number from the display, hold the light button down for 3 seconds.	OF  PHONE NUMBER	If selected ON, you will see the input screen after pressing NEXT STEP. Use the $\square$ or $\square$ button to select the desired number and the FAN or SYSTEM key to move from one character to another. See note below for operation.	OFF
<b>IAQ Mode Cycle</b>  Notes: This programmable/selectable mode will operate the fan 1-4 cycles per hour, 1-45 minutes per cycle. Once programmed in tech setup, to enable this mode select "IAQ" with the fan key. Disable this mode by selecting "ON" or "AUTO" with the fan key.	OF  FAN MODE CYCL	Select OFF, 1, 2, 3 or 4 with the $\square$ or $\square$ buttons. This sets the number of cycles per hour that the IAQ fan mode will operate.	OFF
<b>IAQ Minutes Per Cycle</b>  Notes: This programmable/selectable mode will operate the fan 1-4 cycles per hour, 1-45 minutes per cycle. Once programmed in tech setup, to enable this mode select "IAQ" with the fan key. Disable this mode by selecting "ON" or "AUTO" with the fan key.	1  IAQ MODE MIN	Select 1, 5, 10, 15, 20, 30 or 45 minutes. When IAQ fan mode is enabled, it will ensure the fan runs at least the selected number of minutes per IAQ Mode Cycle. This step will not appear if previous step is set to "OFF".	1

23

## Technician Setup Menu

Tech Setup Steps	LCD Will Show	Adjustment Options	Default
<b>Economizer Mode</b>  (This feature cannot be used with non-programmable PTAC mode, three stages of cool, fresh air, of free cooling mode)	OF ECONOMIZER	Use the $\square$ and $\square$ buttons to select ON or OFF.	OFF
<b>Economizer Terminal Designation</b> (Only displayed if economizer is turned on)	0 3 ECON TERMINAL	Use the $\square$ and $\square$ buttons to select 0/B.	0
<b>Fresh Air Minutes</b>	40 FRESH AIR MIN	Use the $\square$ and $\square$ buttons to select 5, 10, 15, 20, 25, 30, 35, 40, 45, 50, 55 or 60 minutes.	5

### Contractor Call Number Note

If contractor call number is selected ON, the phone number entered will show in the display if there has been a continuous call for heating or cooling for 24 hours or if the light button is held down for 3 seconds. To remove the phone number from the display, hold the light button down for 3 seconds.

### A Note about IAQ Mode

This programmable/selectable mode will operate the fan 1-4 cycles per hour, 1-45 minutes per cycle. Once programmed in tech setup, to enable this mode select "IAQ" with the fan key. Disable this mode by selecting "ON" or "AUTO" with the fan key.

24

# Technician Setup Menu

Tech Setup Steps	LCD Will Show	Adjustment Options	Default
<b>Fresh Air Mode</b> (This setting cannot be used with PTAC, three stages of cool, or economizer turned on)	OF	Use the <b>[+]</b> and <b>[-]</b> buttons to select OFF, OC ON or ON.  OFF: Thermostat does not enable Fresh Air Mode.  OC ON: Fresh Air Mode is enabled during the OCCUPIED, WAKE, RETURN, and SLEEP time periods (It will not bring in fresh air during UNOCCUPIED and LEAVE time periods).  ON: Thermostat will enable Fresh Air Mode for every time periods.	OFF
<b>Fresh Air Terminal</b> (Only displayed if fresh air mode is turned ON. This setting cannot be used with PTAC, three stages of cool, or economizer turned ON.)	0	Use the <b>[+]</b> and <b>[-]</b> buttons to select 0/B.	0
<b>Remote Sensor Operation</b> (Only displayed if a sensor is connected to S1 and S2 terminals)	0	Use the left and right arrows to select one of three options. View the S1/S2 terminal chart on next page for an explanation of these options.	0

S1 / S2 Terminal			
Options	Mode	Description	Requires
1	Indoor	The local and remote temperatures are averaged.	R251S
2	Outdoor	The outdoor temperature is flashed in clock.	R250S
3	Floor	The floor temperature is shown in tech.	R250S

# Technician Setup Menu

Tech Setup Steps	LCD Will Show	Adjustment Options	Default
<b>Local Temp Sensor</b> (Only displayed if remote sensor setting is set to 1)	ON	ON enables local T855SH sensor. OFF disables local T855SH sensor.	ON
<b>Number of Indoor Remotes</b> (Only displayed if remote sensor setting is set to 1)	1	Enables the use of up to sixteen indoor sensors R251S. Note: Will only show Remote Sensor is set to 1 and Local Temp Sensor is set to on.	1
<b>Dual Fuel Balance Point</b> (Only displayed if remote sensor setting is set to 2 and Dual Fuel AUX = On)	OF	An outdoor temperature above balance point will cause the thermostat to energize the Y terminal(s) only in calls for heat. An outdoor temperature below balance point will cause the thermostat to energize the W2 terminal only in calls for heat.	OFF
<b>Balance Point Electric AUX Cut Out</b> (Only displayed if remote sensor setting is set to 2 and Dual Fuel Aux if Off)	40	Balance point with electric auxiliary will optimize heat pump usage. When the outdoor temperature is above the AUX CUT OUT selection, the thermostat to only allow the Y terminal(s) will energize and lockout the W2 terminal. When the outdoor temperature falls below the AUX CUT OUT selection and sits above the AUX CUT IN selection, the thermostat will allow the Y terminal(s) and the W2 terminal to energize. When the outdoor temperature is below the AUX CUT IN selection, the thermostat will only energize the W2 terminal and lockout the Y terminal(s).	OFF

# Technician Setup Menu

Tech Setup Steps	LCD Will Show	Adjustment Options	Default
<b>Balance Point Electric AUX Cut In</b> (Only displayed if remote sensor setting is set to 2 and Dual Fuel Aux if Off)	40	Use the <b>[+]</b> and <b>[-]</b> buttons to select 10, 15, 20, 25, 30, 35, 40, 45, 50 degrees.	OFF
<b>Balance Point Run Time</b> (Only displayed if remote sensor setting is set to 2)	OF	Off, 15, 30, 45, 60, 75, 90	OFF
<b>Free Cooling</b> (Only displayed if remote sensor setting is set to 2)	OF	Use the <b>[+]</b> and <b>[-]</b> buttons to select ON/OFF.	OFF

# Technician Setup Menu

Tech Setup Steps	LCD Will Show	Adjustment Options	Default
<b>Free Cooling Terminal</b> (Fresh air mode and free cooling can be used together. Free cooling cannot be used with PTAC mode, three stages of heat, or economizer mode)	0	Use the <b>[+]</b> and <b>[-]</b> buttons to select 0/B.	0
<b>Floor Temperature</b> (Only displayed if remote sensor setting is set to 3)	76	The temperature of the floor sensor will be displayed.  Note: Only shows when REOP is set to 3.  Use <b>[+]</b> and <b>[-]</b> buttons to adjust.	N/A
<b>Floor High Limit</b> (Only displayed if remote sensor setting is set to 3)	86	This setting allows you to set a maximum floor temperature limit for heat. Heat will be locked out when the floor temperature is above this value. Note: Only shows when REOP is set to 3.	86
<b>Floor Low Limit</b> (Only displayed if remote sensor setting is set to 3)	50	This setting allows you to set a minimum floor temperature limit for heat. Heat will turn on automatically when the floor temperature is below this value. Note: Only shows when REOP is set to 3.	50

Tech Setup Steps	LCD Will Show	Adjustment Options	Default
<b>Humidify</b> This feature adds humidity when system key is in HEAT.		Use the $\leftarrow$ and $\rightarrow$ key to turn on or off. If ON is selected the humidity will be displayed on the main screen and HUM terminal will energize when humidity setpoint is above ambient humidity in Heat mode.	OFF
<b>Dehumidify</b> This feature removes humidity when system key is in COOL.		Use the $\leftarrow$ and $\rightarrow$ key to turn on or off. If ON is selected the humidity will be displayed on the main screen and DUM terminal will energize when humidity setpoint is below ambient humidity in Cool mode.	OFF
<b>Humidity Calibration</b> This feature allows the installer to change the calibration of the ambient humidity displayed. (Only shows if Humidify or Dehumidify is set to "ON")		Use the left and right arrows to adjust the calibration +/-3. Each one unit of adjustment amounts to approximately 5%.	0
<b>Dehumidify With AC</b> This feature forces the A/C to run longer to remove humidity when needed. The A/C will "over cool" the room a few degrees until humidity reaches the desired setpoint. The numbers below are the maximum number of degrees the thermostat will overcool to satisfy humidity. For example, If temperature set point is 70 and humidity set point is 50 and swing is 1 degree and "Dehumidify with AC" is set to 3 and the ambient is 68 and indoor humidity is 60 ... the thermostat will continue to run air conditioning until 67 degree to try to satisfy the humidity set point of 50 (Only shows if dehumidify is set to "ON")		Use the $\leftarrow$ and $\rightarrow$ buttons to select Off, 2, 3, 4, 5 If selected a number is selected the thermostat will use the air condition to "over cool" to control humidity in Cool mode. If Off is selected the system will not use over cooling.	OFF

This table references different humidity levels the thermostat will conform to, based on the outdoor temperature measurements. When the Automatic Humidity Adjusting tech setting selection is ON1 or ON2, the thermostat humidity will stay adjusted to the humidity level that correspond to the outdoor temperature based on the chart index below.

Automatic Humidity Adjusting Index		
When The Outdoor Temperature Is:	On 1	On 2
> +40°F	45%	50%
+30°F to 40°F	40%	45%
+20°F to 29°F	35%	40%
+10°F to 19°F	30%	35%
0°F to 9°F	25%	30%
-1°F to -10°F	20%	25%
-11°F to -20°F	15%	20%
<-20	10%	15%

Tech Setup Steps	LCD Will Show	Adjustment Options	Default
<b>Over Cool Limit</b> The amount of over cooling allowed when using A/C to remove humidity. This screen is only shown when ON is selected in the Dehumidify with AC tech setup step. (Only displayed if Dehumidify with AC is turned "ON")		Use the and left and right arrows to select the maximum number of degrees of over cool. Options are: 2,3,4,5	3
<b>HUM Terminal</b> Options for how the HUM terminal energizes. See chart below (Only shows if humidify is set to "ON")		Use the left and right arrows to select one of the four options. View the HUM terminal chart below for an explanation of these options.	1
<b>DUM Terminal</b> Options for how the DHM terminal energizes. See chart below (Only shows if dehumidify is set to "ON")		Use the left and right arrows to select one of the four options. View the DHM M terminal chart below for an explanation of these options.	1

Tech Setup Steps	LCD Will Show	Adjustment Options	Default
<b>Automatic Humidity Adjusting</b> This feature will adjust the indoor humidity as the outdoor temperature changes. When OFF is selected, the humidity will constantly stay at the same percentage. When ON is selected, the indoor humidity will fluctuate based on outdoor temperature. (Only displayed if remote sensor setting is set to 2 and humidity is turned "ON")		Use the $\leftarrow$ and $\rightarrow$ buttons to select OFF, ON 1 or ON 2. When ON 1 or ON 2 is selected and humidity level is adjusted, the thermostat will revert to the original humidity level after four hours. See Automatic Humidity Adjusting chart for humidity ranges. Please see previous page for chart.	OFF
<b>Dehumidify Relay</b> You can configure the D terminal as Normally-Open or Normally-Closed. NO = Normally Open NC = Normally Closed (Only shows if dehumidify is set to "ON")		Use the or key to select NO or NC. If NO is selected D will energize to dehumidify. If NC is selected D will de-energize to dehumidify.	NO
<b>Summer Away Mode</b> Summer Away Mode protects the home in unoccupied long periods of time, during hot and humid weather. This is done by maintaining programmed and desired humidity and temperature settings. Summer Away Mode will show in the text field and allows the thermostat to put the programmed set point and humidity level in a permanent HOLD when this setting is enabled (HOLD will have to be manually removed). Dehumidity tech setting must be ON for this feature to be available. Cycle Minimizer is turned ON when Summer Away Mode is activated by the user (usually cycle minimizer is based on Unoccupied and Leave time periods). Adds another Tech Setting: following this one (Only displayed if dehumidify is turned "ON")		Use the $\leftarrow$ and $\rightarrow$ buttons to select ON/OFF. When ON is selected, Summer Away Mode is activated by pressing and holding the "HOLD" key on the thermostat screen, for 3 seconds.	OFF

**HUM Terminal**

OPTIONS	HUM terminal energizes when the ambient humidity is...
1	Below the humidity setpoint and heat or fan is energized.
2	Below the humidity setpoint and heat is energized.
3	Below the humidity setpoint. It will also energize the fan during a call for humidity.
4	Below the humidity setpoint.

**DHM Terminal**

OPTIONS	DUM terminal energizes when the ambient humidity is...
1	Above the humidity setpoint and cool or fan is energized.
2	Above the humidity setpoint. It will also energize the fan during a call for dehumidity.
3	Above the humidity setpoint.
4	Above the humidity setpoint and the compressor is not running.



Tech Setup Steps	LCD Will Show	Adjustment Options	Default
<b>Summer Away Mode Humidity</b> (Only displayed if summer away mode is turned "ON")	This tech setting will select the desired humidity level for Summer Away Mode.  Note: The thermostat will default to the Dehumidify set point when this feature is enabled.	Use the <b>[+]</b> and <b>[-]</b> buttons to select the humidity level for Summer Away Mode.	OFF
<b>Comfort Temperature</b> (Only displayed if humidity is turned "ON")	This feature uses both air temperature and the relative humidity to control the indoor temperature based on how it actually feels for people to maximize comfort.	If ON is selected the ambient temperature will operate off of a combination of the air temperature and the relative humidity. When OFF the ambient temperatures will operate off of the air temperature only. The thermostat will show the comfort index in the ambient temp area and drive the heating and cooling based on this.	OFF
<b>Humidity Pad Reminder</b>	Enables a reminder for the user to change the humidity pad.	Use the <b>[+]</b> or <b>[-]</b> key to select OFF, 600, 1000, 1500, or 2000. These represent hours of heat operation.	OFF
<b>UV Lamp Reminder</b>	Enables a reminder for the user to change the UV light bulb.	Use the <b>[+]</b> or <b>[-]</b> key to select OFF, 1 YR, 2 YR	OFF
<b>IAQ Cell Reminder</b>	Enables a reminder for the user to change the IAQ Cell after 25,000 hrs.	Use the <b>[+]</b> or <b>[-]</b> buttons to select OFF, or 25 (stands for 25,000 hours).	OFF

## Setting the Humidity

### Comfort Temperature Index

Ambient Temperature	20%-25%	26%-35%	36%-45%	46%-55%	56%-65%	66%-75%	76%-85%	86%-90%
50	50	50	50	50	50	50	50	50
51	50.6	50.7	50.7	50.9	51	51	51	51.2
52	51.2	51.5	51.5	51.7	52	52	52	52.5
53	52.3	52.5	52.5	52.8	53	53	53	53.5
54	52.9	53.3	53.3	53.6	54	54	54	54.8
55	53.5	54	54	54.5	55	55	55	56
56	54.1	54.6	54.7	55.3	56	56	56	57
57	54.7	55.2	55.4	56.2	56.9	56.9	56.9	57.9
58	55.8	56.3	56.6	57.3	58.1	58.1	58.1	59.1
59	56.4	56.9	57.3	58.2	59	59	59	60
60	57	57.5	58	59	60	60	60	61
61	58	58.5	59.1	60.1	60.9	60.9	61.1	61.9
62	58.9	59.4	60.1	61.1	61.9	61.9	62.1	62.9
63	60.1	60.6	61.4	62.4	63.1	63.1	63.4	64.1
64	61	61.6	62.4	63.4	64.1	64.1	64.4	65.1
65	62	62.5	63.5	64.5	65	65	65.5	66
66	62.7	63.3	64.3	65.3	65.9	65.9	66.5	66.9
67	63.4	64.1	65.1	66.1	66.8	66.8	67.6	67.8
68	64.6	65.4	66.4	67.4	68.2	68.2	68.9	69.2
69	65.3	66.2	67.2	68.2	69.1	69.1	70	70.1
70	66	67	68	69	70	70	71	71
71	67.2	68.2	69.1	70.1	71.1	71.4	72.4	72.6
72	68.3	69.3	70.3	71.3	72.3	72.8	73.8	74.3
73	69.7	70.7	71.7	72.7	73.7	74.2	75.2	75.8
74	70.8	71.9	72.9	73.9	74.9	75.6	76.6	77.4
75	72	73	74	75	76	77	78	79
76	72.9	73.9	74.9	76.1	77.1	78.6	79.6	80.6
77	73.8	74.7	75.7	77.2	78.2	80.2	81.2	82.7
78	75.2	76.3	77.3	78.8	79.8	81.8	82.8	84.3
79	76.1	77.1	78.1	79.9	80.9	83.4	84.4	86.2
80	77	78	79	81	82	85	86	88
81	77.9	79.1	80.3	82.3	83.6	86.6	88.3	91
82	78.7	80.2	81.7	83.7	85.1	88.1	90.6	94.1
83	80.3	81.8	83.3	85.3	86.9	89.9	92.4	96
84	81.1	82.9	84.7	86.7	88.4	91.4	94.7	99
85	82	84	86	88	90	93	97	102
86	82.8	85.1	87.3	89.5	92	95.8	100.5	106.4
87	83.7	86.1	88.6	91.1	94.1	98.5	104	110.9
88	85.3	87.9	90.4	92.9	96	100.5	106.1	113.1
89	86.2	88.9	91.7	94.5	98	103.2	109.5	117.6
90	87	90	93	96	100	106	113	122

These steps/options are only used for trouble shooting, re-setting or restoring to default the WIFI settings of the thermostat. They are not needed for installation or initial setup.

1. Press the MENU button.
2. Press the WIFI button.
3. Configure the WIFI options as desired using the table below. Use the + or - keys to change settings and the NEXT or PREV key to move from one step to another.

Note: Only press the DONE key when you want to exit the WIFI Menu

WIFI Menu	LCD Will Show	Adjustment Options	Default
<b>SSID Number</b> This step shows the SSID number of the thermostat. (The network it is connected to)		Press NEXT to move to the next step. Press DONE to exit.	N/A
<b>Firmware Version</b> This step shows the version of firmware that is installed on the thermostat.		Press NEXT to move to the next step. Press DONE to exit.	N/A
<b>WIFI Provisioning Reset</b> This step allows you to reset the thermostats WIFI connection to change to a different WIFI network.		Press and hold YES for three seconds to reset.	N/A

## Setting the Humidity

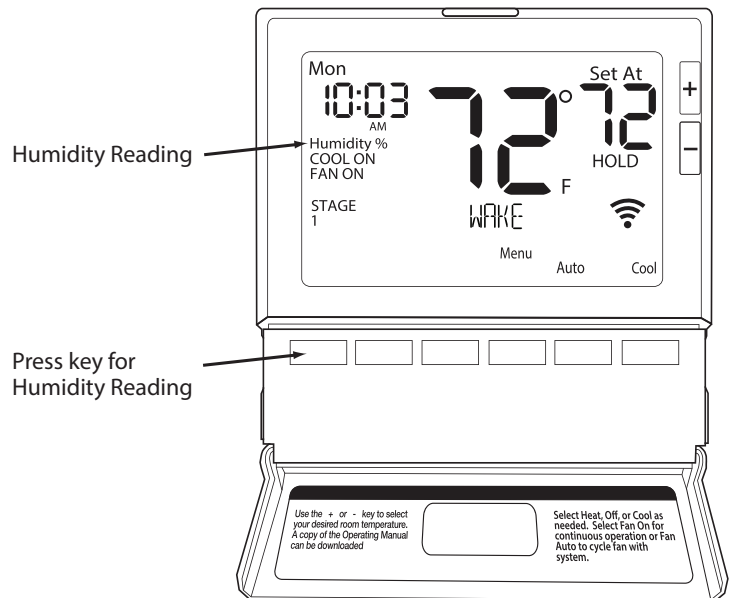
### Setting Target Humidity Setpoint

Follow the steps below to change your target humidity setpoint.

- Press the **HUMIDITY** key  
 Use the **[+]** or **[-]** key to select the target humidity setpoint.  
 Press **DONE** when completed.

**Note:**  
 The target humidity setpoint is not programmable. Unlike temperature, humidity does not change quickly and should not be programmed.

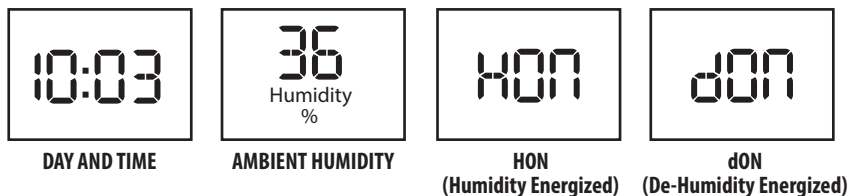
Humidity is only energized during heat. Dehumidify is only energized during cool. Heat and Cool each have their own target setpoints.



Setting Target Humidity Setpoint

Ambient humidity will flash in the time field when Humidify or De-Humidify is set to **ON**.

**HON** will also flash when the Humidity terminal is energized. **dON** will also flash when the De-Humidify terminal is energized.



Recommended Heating Settings:

Increasing Humidity

The table below shows recommended indoor humidity levels in relation to outdoor temperatures during heating (adding humidity).

Recommended Cooling Settings:

Consult your professional HVAC technician for recommended settings for your climate.

Outside Temperature (0°F)	Recommended Relative Humidity
+20° and above	35% to 40%
+10°	30%
0°	25%
-10°	20%
-20°	15%

Set Time

Follow the steps below to set the day of the week and current time:

1. Press the **MENU** button.
2. Press **SET TIME**.
3. Day of the week is flashing. Use the **+** or **-** key to select the current day of the week.
4. Press **NEXT**.
5. The current hour is flashing. Use the **+** or **-** key to select the current hour. When using 12-hour time, make sure the correct a.m. or p.m. choice is selected.
6. Press **NEXT**.
7. Minutes are now flashing. Use the **+** or **-** key to select current minutes.
8. Press **DONE** when completed.

Programming

All our programmable thermostats are shipped with an energy saving default program. You can customize this default program by following the instructions in the **set program schedule section** starting on page 24.

Your thermostat can be programmed to have each day of the week programmed uniquely (7 days) or non-programmable. For the 7-day programming modes, there are three time period options.

1. "4" Residential (**WAKE, LEAVE, RETURN, SLEEP**)
2. "2C" Commercial (**OCCUPIED, UNOCCUPIED**)
3. "4C" Commercial (**OCCUPIED 1, UNOCCUPIED 1, OCCUPIED 2, UNOCCUPIED 2**)

This thermostat has a programmable fan feature, which allows you to run the fan continually during any time period.

Reminders

Once a reminder has been turned on and set, the elapsed time can be checked by navigating to its tech setup step. The elapsed time will then appear in the text field. It can also be reset at that time by holding down the set time/run sched button for 3 seconds. Resetting an expired reminder can be done without entering tech setup, by holding down the set time/run sched button for 3 seconds from the home screen.

**Staging Delay Note:** This step will not appear if using an outdoor balance point temperature.

Programming

Programming

Custom Program				
Day of the Week	Events	Time	Setpoint Temperature (HEAT)	Setpoint Temperature (COOL)
Weekday	Wake/OCC1			
	Leave/UNOCC1			
	Return/OCC2			
	Sleep/UNOCC2			
	Occupied			
	Unoccupied			
Saturday	Wake/OCC1			
	Leave/UNOCC1			
	Return/OCC2			
	Sleep/UNOCC2			
	Occupied			
	Unoccupied			
Sunday	Wake/OCC1			
	Leave/UNOCC1			
	Return/OCC2			
	Sleep/UNOCC2			
	Occupied			
	Unoccupied			

To customize your 7 day 4 time period Program schedule, follow these steps:

Monday:

1. Select **HEAT** or **COOL** with the **SYSTEM** key. **Note:** You have to program heat and cool each separately.
2. Press the **MENU** button (If menu does not appear first, press **RUN SCHED**).
3. Press **SET SCHED**. **Note:** Monday is displayed and the **WAKE/OCC1** icon is shown. You are now programming the **WAKE/OCC1** time period for that day.
4. Time is flashing. Use the **+** or **-** key to make your time selection for that day's **WAKE/OCC1** time period. **Note:** If you want the fan to run continuously during this time period, select **ON** with the **FAN** key. If you want to use **IAQ** mode during this time period, select **IAQ** with the **FAN** key.
5. Press **NEXT**.
6. The setpoint temperature is flashing. Use the **+** or **-** key to make your setpoint selection for that day's **WAKE/OCC1** period.
7. Press **NEXT**.
8. Repeat steps 4 through 7 for that day's **LEAVE/UNOCC1** time period, for that day's **RETURN/OCC2** time period, and for that day's **SLEEP/UNOCC2** time period.

Repeat steps 4 through 8 for the remaining days of the week.

A Note About Auto Changeover:

In Auto you have the ability to switch between Auto Heat or Auto Cool by pressing the system key. This can be done once the current mode has reached its setpoint. For example: if in Auto Heat, the heat setpoint must be satisfied before the thermostat will allow you to switch to Auto Cool. You can switch out of Auto by holding down the system key. To get back into Auto, you must toggle the system key to Auto.

To customize your 7 day 2 time period program schedule, follow these steps:

**Monday:**

1. Select **HEAT** or **COOL** with the **SYSTEM** key.  
**Note:** You have to program heat and cool each separately.
2. Press the **MENU** button (If menu does not appear first press **RUN SCHED**).
3. Press **SET SCHED**. **Note:** Monday is displayed and the **OCCUPIED** text is shown. You are now programming the **OCCUPIED** time period for that day.
4. Time is flashing. Use the **+** or **-** key to make your time selection for that day's **OCCUPIED** time period.  
**Note:** If you want the fan to run continuously during this time period, select **ON** with the **FAN** key. If you want to use **IAQ** mode during this time period, select **IAQ** with the fan key.
5. Press **NEXT**.
6. The setpoint temperature is flashing. Use the **+** or **-** key to make your setpoint selection for that day's **OCCUPIED** period.
7. Press **NEXT**.
8. Repeat steps 4 through 7 for that day's **UNOCCUPIED** time period.

Repeat steps 4 through 8 for the remaining days of the week.

**A Note About Programmable Fan:**

The programmable fan feature will run the fan continuously during any time period it is programmed to be on. This is the best way to keep the air circulated and to eliminate hot and cold spots in your building. If using **IAQ** mode, set fan to **IAQ** for any time period.

**Default Programming**

Factory Default Program				
Day of the Week	Events	Time	Setpoint Temperature (HEAT)	Setpoint Temperature (COOL)
Weekday	Wake/OCC1	6 AM	70°F (21°C)	78°F (24°C)
	Leave/UNOCC1	8 AM	62°F (17°C)	85°F (28°C)
	Return/OCC2	6 PM	70°F (21°C)	78°F (24°C)
	Sleep/UNOCC2	10 PM	62°F (17°C)	82°F (26°C)
Saturday	Wake/OCC1	6 AM	70°F (21°C)	78°F (24°C)
	Leave/UNOCC1	8 AM	62°F (17°C)	85°F (28°C)
	Return/OCC2	6 PM	70°F (21°C)	78°F (24°C)
	Sleep/UNOCC2	10 PM	62°F (17°C)	82°F (26°C)
Sunday	Wake/OCC1	6 AM	70°F (21°C)	78°F (24°C)
	Leave/UNOCC1	8 AM	62°F (17°C)	85°F (28°C)
	Return/OCC2	6 PM	70°F (21°C)	78°F (24°C)
	Sleep/UNOCC2	10 PM	62°F (17°C)	82°F (26°C)

**Default Programming**

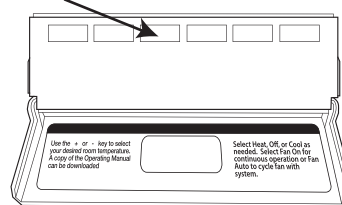
Factory Default Program for 2 Time Periods				
Day of the Week	Events	Time	Setpoint Temperature (HEAT)	Setpoint Temperature (COOL)
Weekday	OCCUPIED	8 AM	70°F (21°C)	78°F (26°C)
	UNOCCUPIED	6 PM	62°F (17°C)	85°F (29°C)
Saturday	OCCUPIED	8 AM	70°F (21°C)	78°F (26°C)
	UNOCCUPIED	6 PM	62°F (17°C)	85°F (29°C)
Sunday	OCCUPIED	8 AM	70°F (21°C)	78°F (26°C)
	UNOCCUPIED	6 PM	62°F (17°C)	85°F (29°C)

You can use the table on the next page to plan your customized program schedule if using 5+1+1.

**Filter Change & Other Reminders**

If the filter change reminder is enabled, you will see a reminder in the display when your air filter needs changed. The reminder will be shown in the display after your system has run long enough to require an air filter change.

**Resetting The Filter Change Reminder:** When the reminder is displayed, you should change your air filter and reset the reminder by holding down the 3rd button from the left side of the thermostat for 3 seconds.



This thermostat also has other maintenance reminders (Humidity Pad, UV lamp, and IAQ Cell), that are reset with the same procedure.

**Temporary & Permanent Hold Feature**

**Temporary Hold:** The thermostat will display **HOLD** and **RUN SCHED** on the bottom of the screen when you press the **+** or **-** key. If you do nothing, the temperature will remain at this setpoint temporarily for 4 hours. The program setpoint will then replace the temporary setpoint.

**Permanent Hold:** With a temporary hold set, If you press the **HOLD** key at the bottom of your screen, you will see **HOLD** appear below the setpoint temperature in the display. The thermostat will now permanently stay at this setpoint and can be adjusted using the **+** or **-** keys.

**To Return To Program:** Press the **RUN SCHED** key at the bottom of the screen to exit temporary and permanent holds.

**Remote Sensor Operation Options**

**Specifications**

**Option #1 - Indoor / Local Temperature Sensor "ON":**

1. The displayed room temperature will display the average temperature of the thermostat and all remote sensors.

2. By pressing the far left (Prev Step) button, the average temperature of just the remote sensor(s) will be displayed briefly in the clock field.

**Option #1 - Indoor / Local Temperature Sensor OFF":**

1. The displayed room temperature will only show the average temperature of the remote sensor(s).

**Option #2 - Outdoor:**

1. The outdoor temperature will alternate briefly with the clock display.

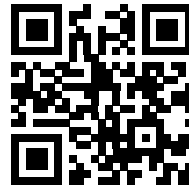
**Option #3 (Floor)**

1. By pressing the far left (Prev. Step) button, the temperature of the floor sensor will be displayed briefly in the clock field.

The display range of temperature ...	41°F to 95°F (5°C to 35°C)
The control range of temperature....	44°F to 90°F (7°C to 32°C)
Load Rating.....	1 amp per terminal, 1.5 amp maximum all terminals combined
Swing (cycle rate or differential) .....	Heating is adjustable from 0.2° to 2.0° Cooling is adjustable from 0.2° to 2.0°
Power source .....	18 to 30 VAC, NEC Class II, 50/60 Hz for hardwire. 500 mA
Operating ambient .....	32°F to +105°F (0°C to +41°C)
Operating humidity .....	90% non-condensing maximum
Dimensions of thermostat .....	4.7" W x 4.3" H x 0.9" D
Frequency Range.....	2.4 GHz ISM radio band
WiFi.....	Supporting 802.11 B/G/N Standards

**Warranty Information**

**Warranty Registration**



Your new thermostat has a 5 year limited warranty. You must register your thermostat within 60 days of installation. Without this registration the warranty period will begin on date of manufacture. For warranty issues please contact the HVAC professional that installed this product. Please register your new thermostat online.

**Please Register Your Thermostat Here**

[www.vivecomfort.com/warranty](http://www.vivecomfort.com/warranty)